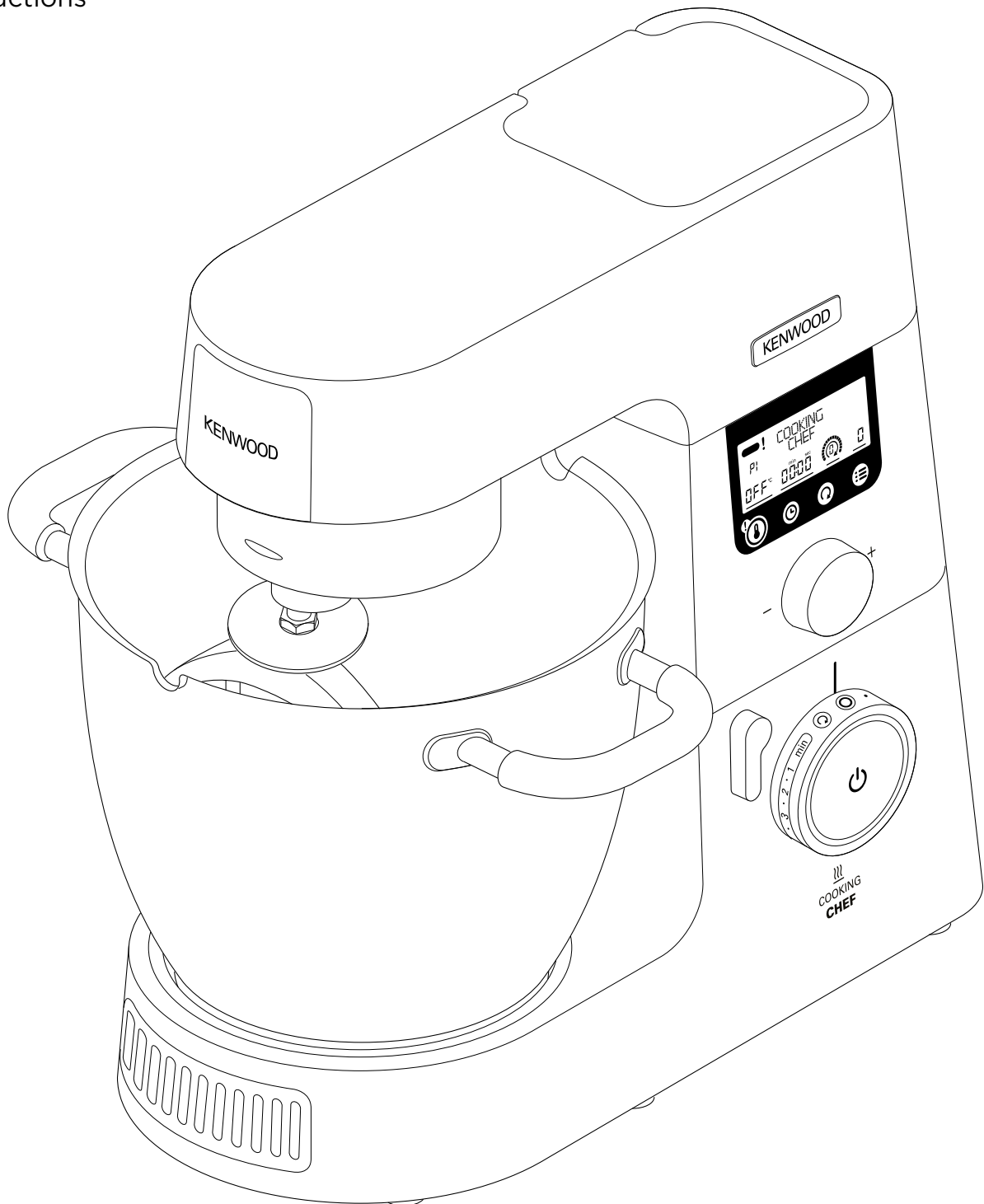


KENWOOD

TYPE KCC90

instructions



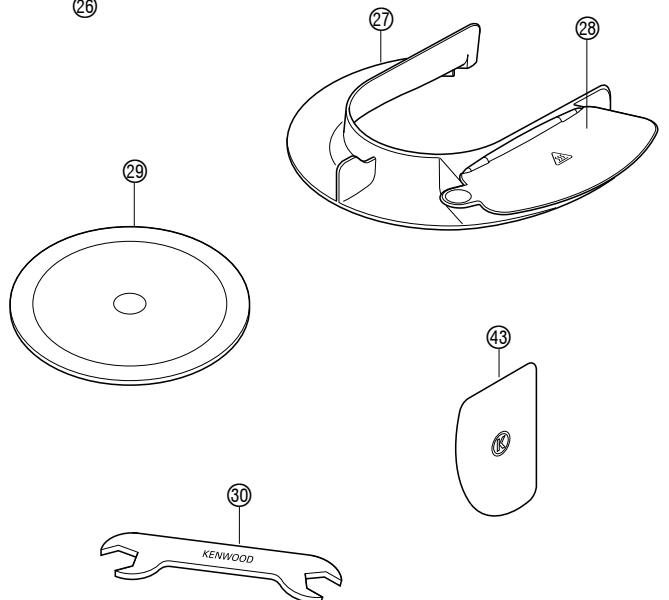
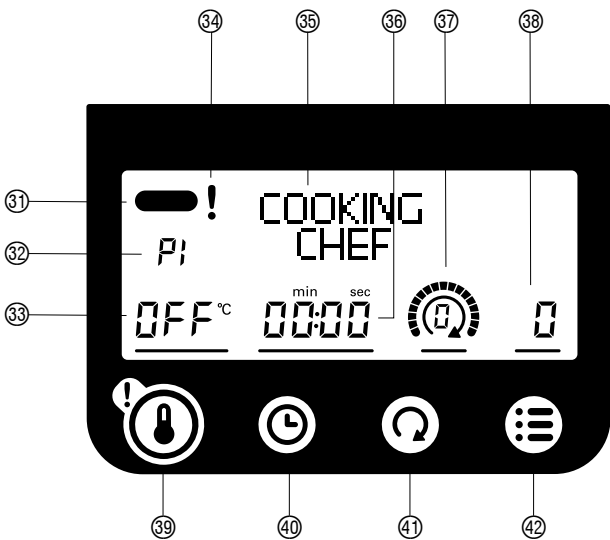
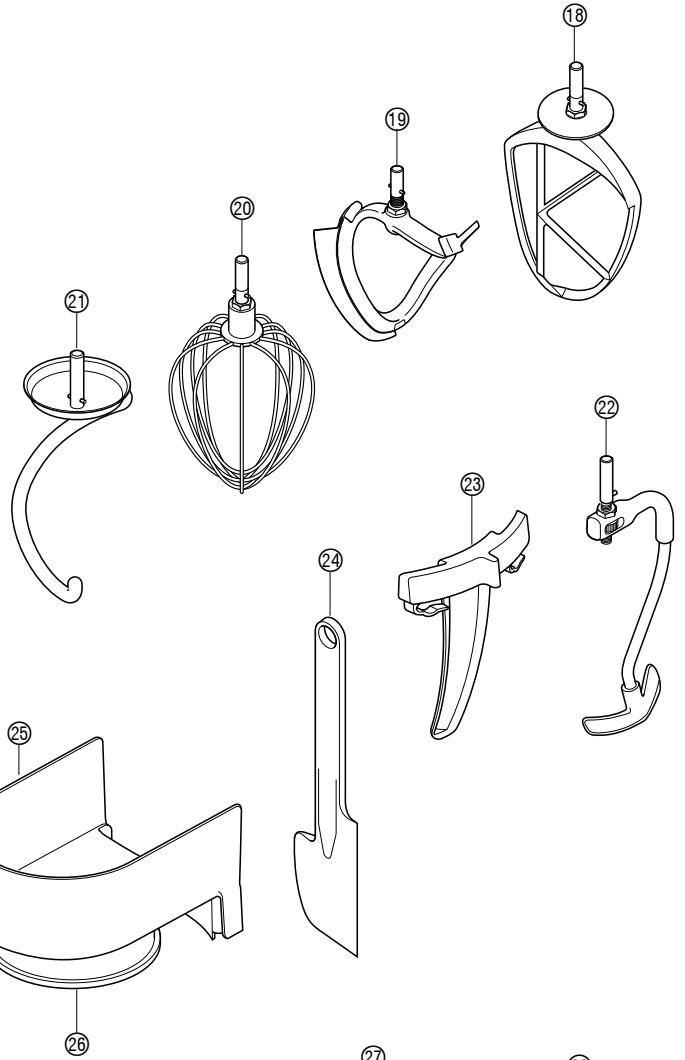
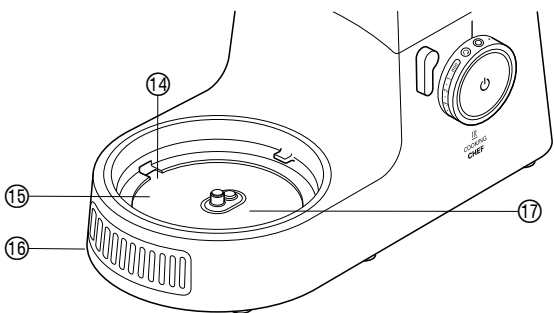
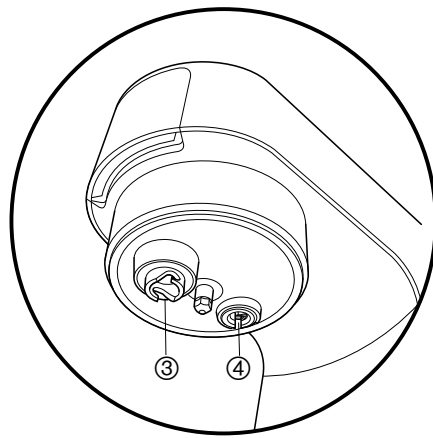
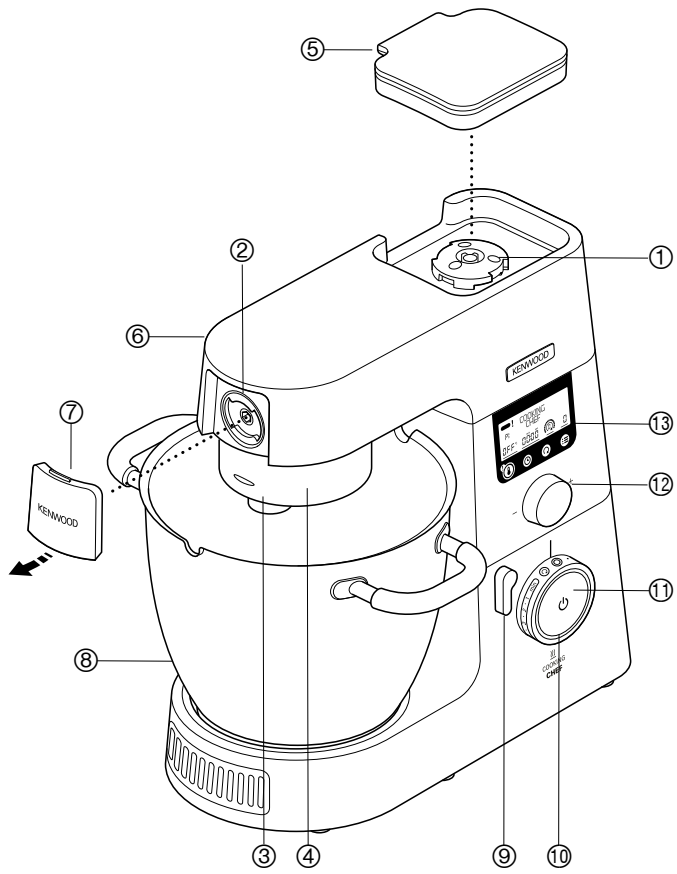
English

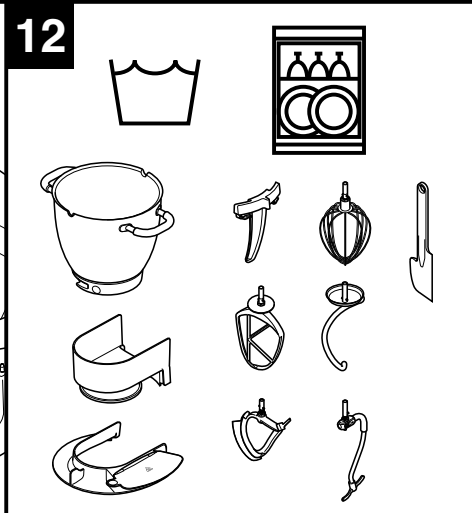
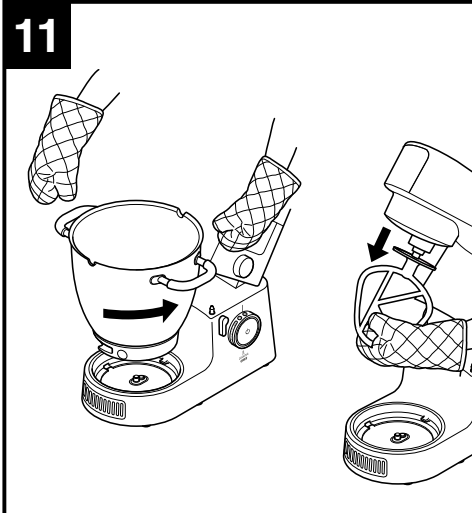
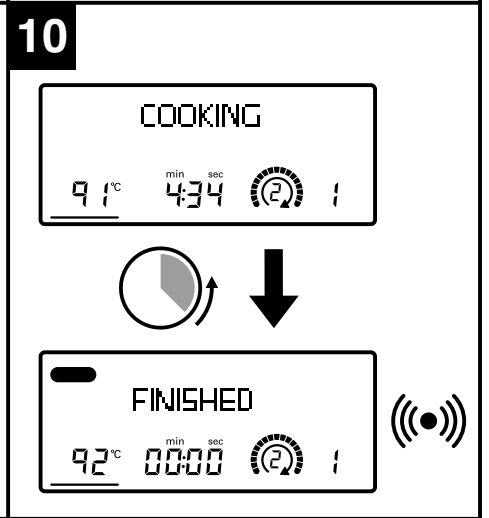
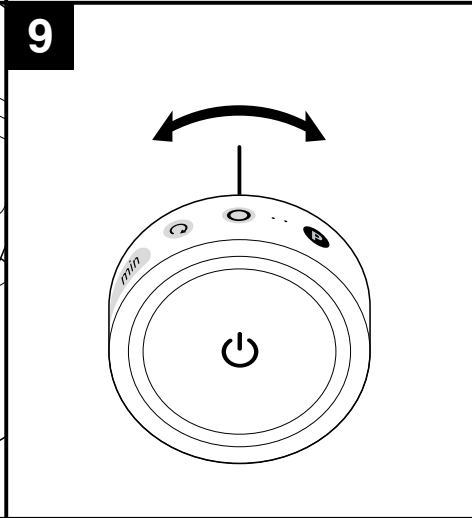
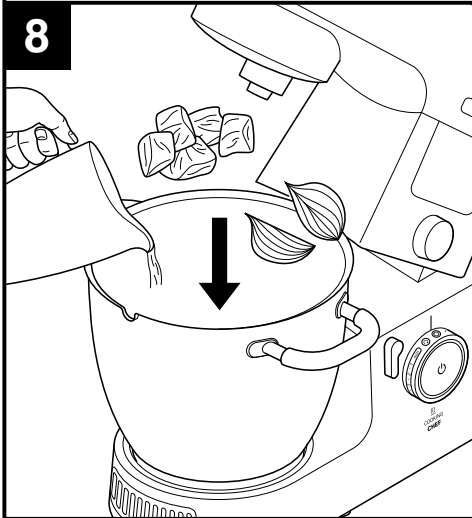
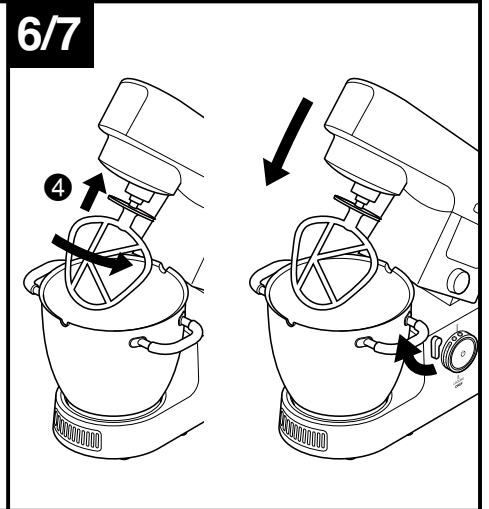
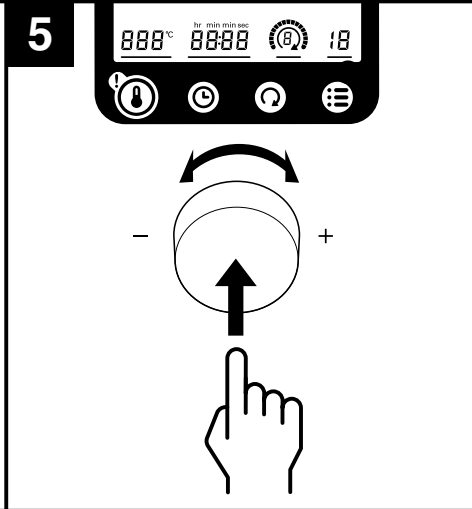
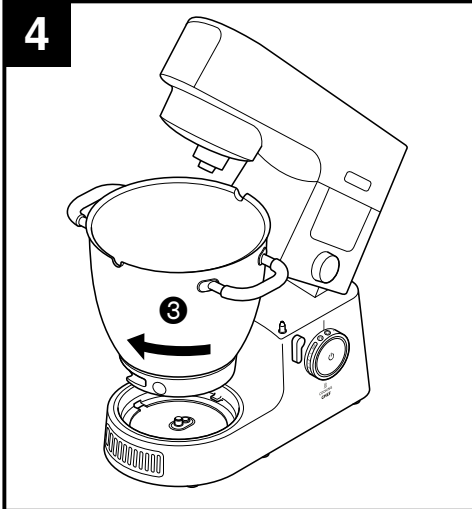
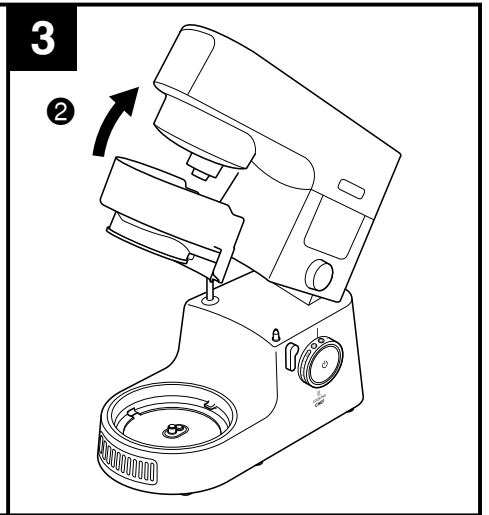
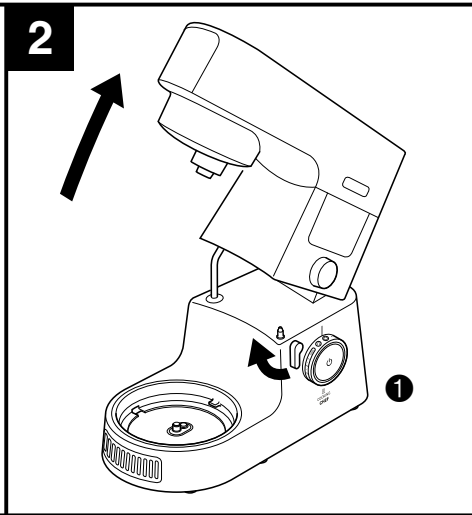
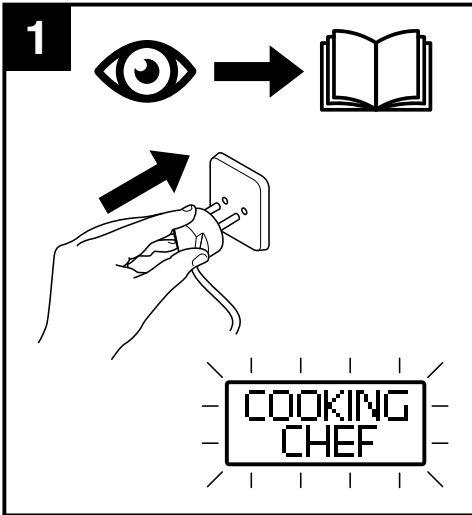
2 - 25

عربي

٤٩ - ٢٦







contents

safety	3 – 4
key	5
language selection	5
the bowl tools and some of their uses	6
to use your Cooking Chef	6 – 7
to use your Cooking Chef as a mixer	7
display screen symbols explained	8
manual mode	9 – 10
using the pre-set programmes	11
Savoury programmes	11 – 12
main meals	11
sauce	12
Sweet programmes	13 – 16
chocolate tempering	13
doughs	13 – 14
meringue	14
compote	15
sauces	15 – 16
others	16
Slow cook programmes	17
high	17
low	17
Steam programme	18
adjusting the bowl tools	19
to fit and use your splashguard assembly	20
to remove and fit outlet covers	21
to fit and remove your stir assist clip	21
assembling the high temperature creaming beater	21
maximum capacities and recommended speeds	22
care and cleaning	23
service and customer care	23
troubleshooting guide	24 – 25

safety

- **Read these instructions carefully and retain for future reference.**

- Remove all packaging and any labels.
- If the cord is damaged it must, for safety reasons, be replaced by KENWOOD or an authorised KENWOOD repairer.

important note - electronic medical implants

- Like all induction heating products, this appliance generates short-range magnetic fields. If any user or person in close proximity has a pacemaker or other active implants, please consult a doctor before use, concerning any possible incompatibility to prevent any risk to health.
- Switch off and unplug the appliance before fitting or removing tools/attachments, after use and before cleaning.
- Keep body parts, hair, jewellery and loose clothing away from moving parts and fitted attachments.
- Never put your fingers etc., into the hinge mechanism.
- Never leave the appliance on unattended.
- Never use a damaged appliance. Get it checked or repaired: see 'service and customer care'.
- Never use an unauthorised attachment or more than one attachment at once.
- Never exceed the maximum capacities and when using the induction heater never exceed the 3 litre maximum fill level marked on the inside of the bowl.
- When using an attachment, read the safety and usage instructions that come with it.
- Take care when lifting this appliance as it is heavy. Ensure the head is locked and that the bowl, tools, outlet covers and cord are secure before lifting.
- Never let the cord hang down where a child could grab it.
- Never let the power unit, cord or plug get wet.
- Be careful when handling or touching any part of the appliance when being used in the cook mode or after cooking, IN PARTICULAR THE BOWL, SPLASHGUARD AND TOOLS as they will remain HOT long after the appliance has been switched off. Use the handles to remove and carry the bowl. Use oven gloves when handling the hot bowl and hot mixing tools.
- Take care when removing bowl tools after extended use as they may get hot.
- The underside of the bowl will remain hot long after the heating has stopped. Use caution when handling and use the work surface protection mat when placing the bowl on heat sensitive surfaces.
- Be careful of steam escaping from the mixer bowl particularly when opening the lid in the splashguard or when raising the mixer head.
- If transferring hot food from the mixer to the blender, always allow the ingredients to cool to room temperature before placing in the blender.
- Only use the bowl and tools supplied with this appliance. Never use the bowl with any other heat source.
- Never operate the appliance in the cook mode with the bowl empty.
- Never insert anything through the air vents.
- When using this appliance ensure it is positioned on a level surface away from the edge. Make sure it is at least 10 cm from walls and ensure that the vents are not blocked. Do not position below overhanging cupboards.
- For the correct and safe operation of the induction cooker ensure that the bowl base and temperature sensors are clean and dry before cooking.

- As with all induction cooking appliances do not place credit cards, magnetic media or sensitive electronic equipment near to the appliance when in use.
- Do not use the appliance for deep frying foods.
- Always ensure food is thoroughly cooked before eating.
- Do not exceed 250ml when cooking with oil.
- Food should be eaten shortly after cooking or allowed to cool quickly and then refrigerated as soon as possible.
- Misuse of your appliance can result in injury.
- The power-supply cord is used to reduce risk resulting from becoming entangled in or tripping. Extension cords may be used if care is exercised in their use. If an extension cord is used: 1) The marked electrical rating of the extension cord should be at least as great as the electrical rating of the appliance; and 2) The cord should be arranged so that it will not drape over the countertop or tabletop where it can be pulled on by children or tripped over unintentionally. If the appliance is of the earthed type, the extension cord should be a earthing-type 3-wire cord. The electrical rating of the appliance is listed on the bottom of the unit.
- Appliances can be used by persons with reduced physical, sensory or mental capabilities or lack of experience and knowledge if they have been given supervision or instruction concerning use of the appliance in a safe way and if they understand the hazards involved.
- Children should be supervised to ensure that they do not play with the appliance.
- This appliance shall not be used by children. Keep the appliance and its cord out of reach of children.
- Only use the appliance for its intended domestic use. Kenwood will not accept any liability if the appliance is subject to improper use, or failure to comply with these instructions.

before plugging in

important - UK only

- Make sure your electricity supply is the same as the one shown on the underside of the appliance.
- The wires in the cord are coloured as follows:
Green and Yellow = Earth, Blue = Neutral, Brown = Live.
- The appliance must be protected by a 13A approved (BS1362) fuse.
- **WARNING: THIS APPLIANCE MUST BE EARTHED.**
- **Note:**
- For non-rewireable plugs the fuse cover **MUST** be refitted when replacing the fuse. If the fuse cover is lost then the plug must not be used until a replacement can be obtained. The correct fuse cover is identified by colour and a replacement may be obtained from your Kenwood Authorised Repairer (see Service).
- If a non-rewireable plug is cut off it must be **DESTROYED IMMEDIATELY**. An electric shock hazard may arise if an unwanted non-rewireable plug is inadvertently inserted into a 13A socket outlet.
- This appliance conforms to EC Regulation 1935/2004 on materials and articles intended to come into contact with food.

before using for the first time

- Wash the parts: see 'care and cleaning'.

know your Kenwood Cooking Chef

Key

Attachment outlets

- ① high speed outlet (HSO)
- ② slow speed outlet (SSO)
- ③ bowl tool socket
- ④ stir tool socket

Mixer

- ⑤ high speed outlet cover
- ⑥ mixer head
- ⑦ slow speed outlet cover
- ⑧ cooking chef bowl
- ⑨ head - lift lever
- ⑩ speed control
- ⑪ standby button
- ⑫ display dial/enter button
- ⑬ display screen
- ⑭ drain hole
- ⑮ bowl pedestal/induction area
- ⑯ air vents
- ⑰ temperature sensors
- ⑱ K beater
- ⑲ high temperature creaming beater
- ⑳ whisk
- ㉑ dough hook
- ㉒ stir tool
- ㉓ stir assist clip
- ㉔ high temperature spatula
- ㉕ heat shield
- ㉖ rubber seal (removable)
- ㉗ splashguard
- ㉘ feed chute lid
- ㉙ work surface protection mat
- ㉚ spanner

Display screen graphics

- ㉛ hot temperature warning
- ㉜ programme phase
- ㉝ temperature selection
- ㉞ high speed high temperature warning
- ㉟ text display
- ㊱ time selection
- ㊲ stir delay selection
- ㊳ power selection


Display panel



- ㊴ temperature button
- ㊵ time button
- ㊶ stir setting button
- ㊷ menu button

- ㊸ dough scraper

Note: Slow Speed outlet attachments


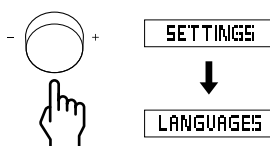
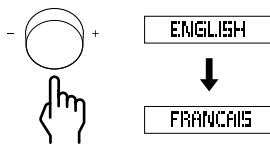
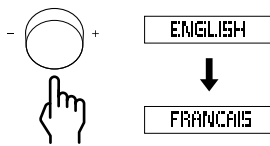
The slow speed outlet on your Kitchen Machine model features the Twist Connection System. It is designed to accept Twist Connection System attachments.

When purchasing new attachments for the slow speed outlet you should check compatibility with your Kitchen Machine. All Twist Connection System attachments can be identified by the product code which starts with KAX and also by the Twist logo  which is visible on packaging.

If you own attachments featuring the Bar Connection System  you will need to use the KAT002ME adaptor to connect these to the Twist Connection System  on your Kitchen Machine.

For more information visit www.kenwoodworld.com/twist.

language selection

When turning on your Cooking Chef for the first time, the display screen language will default to "English".	
1 To change language press the menu button.	
2 Use the display dial/enter button to select "SETTINGS" and press the display dial/enter button to confirm.	
3 Use the display dial/enter button to select "LANGUAGES" and press the display dial/enter button to confirm.	
4 Use the display dial/enter button to select the required language. Once the required language is selected, press the display dial/enter button to confirm.	
5 To change the language again, repeat the process.	

the bowl tools and some of their uses

K-beater

For making cakes, biscuits, pastry, icing, fillings, éclairs and mashed potato.

Whisk

For eggs, cream, soufflés. Do not use the whisk for heavy mixtures (e.g. creaming fat and sugar) - you could damage it. Suitable to combine with the stir tool when whisking with heat, e.g. Italian and Swiss meringues.

Dough Hook

For yeast mixtures only.

High temperature creaming beater

Suitable for creaming butter and sugar, choux pastry and polenta. Ideal for scraping mixes both hot and cold from the sides of the bowl during mixing.

Stir tool

Suitable to use during cooking to maintain the texture of food e.g. chicken, fish, vegetables and fruit. Ideal for browning meat. Also suitable for risottos, sauces and melting chocolate.

to use your Cooking Chef

IMPORTANT

- Make sure the induction area, temperature sensors and external surface of the bowl base are clean. Failure to do this will affect the heat sensor, resulting in poor cooking performance.
 - Check that all the outlet covers including the heat shield are fitted. If they are not correctly fitted the heating function will not operate.
 - Always use oven gloves to remove the bowl and tools after cooking.
- 1 Connect the machine to the power supply. The display screen will illuminate.
 - 2 Turn the head-lift lever clockwise ❶ and raise the mixer head until it locks.
 - 3 Push the heat shield ❷ upwards onto the underside of the mixer head ❸ until fully located. The heat shield must never be used without the rubber seal ❹ fitted correctly.
 - If using the Cooking Chef without heat, it is not necessary to fit the heat shield unless using the splashguard. Refer to 'to fit and use your splashguard assembly' section.
 - 4 Fit the bowl to the base – press down and turn clockwise ❺.
 - 5 Select one of the following options:

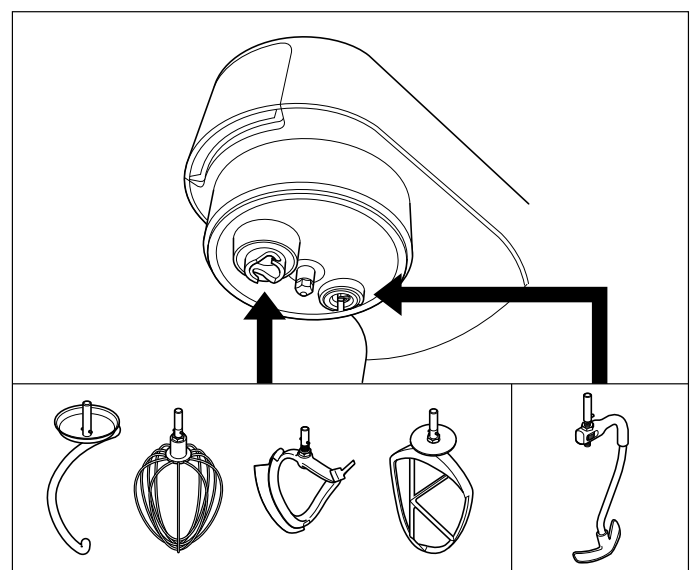
Manual Cooking.

Refer to manual mode section.

Pre-set Programmes:

Refer to 'using the pre-set programmes' section for usage information.

- Refer to the Quick Start Guide for more recipe ideas.
- 6 Place the required tool in the bowl tool socket ❸ or stir tool socket ❹ if using the stir tool, locating the pin in the groove and then turn to lock into position ❺.



stir tool – when using the stir tool the stir assist clip can also be used to assist the mixing action, see 'to fit and use your stir assist clip'. The stir tool can also be used with the whisk, e.g. making meringues. Do not use the stir tool with the dough hook.

Note: If the K-beater, whisk or creaming beater are not picking up ingredients from the bottom of the bowl refer to the "Tool Adjustment" section.

- To remove a tool, reverse step 6 above. (Always use oven gloves to remove tools after cooking).
- 7 To lower the mixer head, raise it slightly, then turn the head lift lever clockwise. Lower into the locked position.
 - 8 Add the relevant ingredients to be cooked/mixed.
 - 9 Turn the speed control to the desired setting. Turn the speed control to ⌚ to use the stir settings.

- If the bowl temperature exceeds 60°C, for safety reasons the speed is automatically limited even if a higher speed has been selected. The speed will not automatically increase when the temperature drops below 60°C. The speed control must be turned to the off 'O' position first and the desired speed reselected.

See 'Manual Mode' section for how to use high speed high temperature (HSHT) mode.

- 10 Once a programme has finished, the unit will beep 3 times.
- Note: If no time has been set, the heating and stirring processes will automatically end once the timer has reached 8 hours.
- 11 To stop or pause the mixing process, return the speed control to the off 'O' position. To resume operation select a speed.

IMPORTANT

- **Heating will continue when the mixing process is stopped or paused.**

- 12 To stop the heating process, change the temperature to 'OFF'. Alternatively, press the standby button.

Important – If at any time the mixer head is raised during an operation, the heating process will pause. The bowl tool will stop and will not restart when the mixer head is lowered, to re-start the mixer turn the speed control to the off 'O' position and then re-select a speed.

after cooking

- Be careful when handling or touching any part of the mixer when being used in the cook mode or after cooking, IN PARTICULAR THE BOWL, SPLASHGUARD AND TOOLS as they will remain HOT long after the appliance has been switched off. Use the handles to remove and carry the bowl. Use oven gloves when handling the hot bowl and hot mixing tools.
- The underside of the bowl will remain hot long after the heating has stopped. Use caution when handling and use the work surface protection mat provided to protect heat sensitive surfaces.

hints

- Some recipes, in particular those with a high water content, will not be able to reach a cooking temperature above 100°C (as this is the boiling point of water).
- When adding ingredients to the bowl during cooking, turn the speed down and add the ingredients slowly and evenly.
- To heat sauces quickly use a continuous stir setting.
- If using the splashguard during cooking, always remove it before lifting the mixer head. Be aware of condensation formed on the splashguard and heat shield.
- When lifting the mixer head lift it slowly to allow any liquid on the underside of the heat shield to flow back into the bowl.
- Ten stir delay functions are available which enable you to select the appropriate amount of stirring for individual recipes. Some recipes will require constant stirring to stop ingredients from sticking to the bottom of the bowl, whereas others will benefit from intermittent stirring to maintain the texture of the food.

to use your Cooking Chef as a mixer

Assemble the mixer as described previously in 'to use your Cooking Chef'. Turn the speed control to the desired setting. The speed can be changed at any time whilst the mixer is operating. Stop the mixer by returning the speed control to the off 'O' position.

Use the pulse (P) position for short bursts of maximum speed.

general hints

- Stop mixing and scrape down the bowl with the spatula frequently.
- Eggs at room temperature are best for whisking.
- Before whisking egg whites, make sure there is no grease or egg yolk on the whisk or bowl.
- Use cold ingredients for pastry unless your recipe says otherwise.

points for bread making

important

- Never exceed the maximum capacities stated - you will overload the machine.
- If you hear the machine labouring, switch off, remove half the dough and do each half separately.
- The ingredients mix best if you put the liquid in first.

recipe

chilli marinade

200g cold clear runny honey (refrigerated overnight)







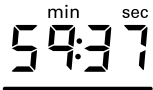


1 chilli (whole)

5ml (1tsp) crunchy peanut butter

Seasoning

- 1 Place all the ingredients into the mini chopper/mill.
- 2 Fit the attachment to the Kitchen Machine and allow the ingredients to settle around the blade.
- 3 Switch to pulse for 10 seconds.
- 4 Use as required.

display screen symbols explained

	
	<p>Hot warning indicator Below 40°C - no red bar 40°C-60°C - flashing red bar Above 60°C - solid red bar</p>
	<p>Shows when mixer is being operated in high speed high temperature mode (HSHT).</p>
	<p>Shows current phase of a programme when using the pre-set programmes.</p>
	<p>Text display shows status information, programme information and error messages.</p>
	<p>Shows the selected temperature. Temperature can be set from, "OFF", 20°C - 180°C.</p>
	<p>Shows the time selected in hours, minutes and seconds. Time can be set from 5 seconds → 8 hours and will count down once a temperature has been selected.</p>
	<p>Shows the stir setting selected, ranging from 0 → 9.</p> <ul style="list-style-type: none"> • The outer bars will progressively light up to indicate the length of time before the next stirring action. • The inner stir arrow will start flashing 3 seconds before the next stirring action. • At the start of a stirring action, there may be a brief boost in speed in order to separate pieces of food.
	<p>Shows the power setting selected. Power settings range from Auto, 1 → 7.</p>

manual mode



- Press the setting you wish to alter and use the display dial to adjust the setting.
- Press the display dial to confirm.

Note:

- When a setting is selected, the bar underneath the corresponding display screen symbol will illuminate.
- The setting will time out after 4 seconds if no action is taken.

	<p>Temperature can be set from 20°C - 180°C in 1°C increments. Alternatively, the unit can be used without setting a temperature by selecting "OFF". Note: The Cooking Chef will not achieve a temperature lower than the ambient temperature.</p> <p>High speed, high temperature mode (HSHT) To mix at high speed at temperatures above 60°C:</p> <ul style="list-style-type: none"> • Press and hold for 3 seconds. The red ! will illuminate on the display screen and "CAUTION HSHT MODE" will be displayed. The mixer will also make a beeping sound every 30 seconds. • Turn the speed control to the desired speed, the mixer will slowly increase to the selected speed. • You can reduce the speed as normal. • To exit this mode, press and hold the temperature button for 5 seconds or return the speed control to '0'. <p>This function MUST ONLY be used with the whisk and/or stir tool. You should not exceed the maximum cooking capacity of 3 litres and you must ensure the splashguard is fitted. The machine must not be left unattended.</p>
	<p>The timer can be used in cooking mode. If a countdown time is not selected, the timer will automatically count up in 1 second intervals whilst the machine is in operation. The maximum running time is 8 hours.</p>
	<p>There are ten stir delay settings. These are most suitable when the mixer is used in the cook mode. Please note, to use the stir settings all outlet covers must be fitted.</p>
	<p>Power settings can be adjusted through the menu button. Power will default to Auto. The power can be adjusted to from 250W to 1500W.</p> <ul style="list-style-type: none"> • Choose a lower power setting to gently heat ingredients. • Choose a higher power setting to heat ingredients quickly.

stir delay settings		
The stirring settings are ideal to use with the stir tool.		
Speed	Delay intervals	Uses
	No delay (Continuous stirring)	Continuous stirring for sauces and risottos.
	5 seconds	Browning meat and sautéing vegetables.
	10 seconds	
	20 seconds	
	30 seconds	
	40 seconds	
	50 seconds	Stirring stews, casseroles, broths, etc.
	1 minute	
	2 minutes	
	5 minutes	

temperature settings	
Temperature	Uses
50°C	Chocolate tempering
72°C - 82°C	Poaching
98°C - 99°C	Simmering
100°C	Boiling, steaming
130°C - 140°C	Sautéing vegetables
180°C	Browning meat

power settings		
Power settings	Watts	Uses
A	Auto	Power input varies to optimise temperature setting
1 - 2	1500W - 1200W	Browning meat, sautéing vegetables, boiling water
3 - 5	1000W - 500W	Melting butter, dairy-based sauces, simmering, heated whisking
6 - 7	375W - 250W	Proofing doughs

using the pre-set programmes

Select the programme

- 1 Press the menu button.
 - 2 Turn the display dial/enter button to select "Programmes".
 - 3 Press the display dial/enter button to confirm.
 - 4 Turn the display dial/enter button to select either "Savoury", "Sweet", "Slow Cook" or "Steam" programmes. See the tables below for sub-programme options.
 - 5 Press the display dial/enter button to confirm.
 - 6 Follow the instructions on the display screen.
- Note: If no action is taken between phases, the machine will time out after 15 minutes.

SAVOURY		Phase 1 (P1)	Phase 2 (P2)	Phase 3 (P3)	Phase 4 (P4)	Phase 5 (P5)	Phase 6 (P6)	Tools used	Recipe ideas
Wok	Add oil	140°C	Add meat & veg 180°C	Add flavourings 160°C	Additional ingredients 120°C	N/A	N/A		Stir fry
	°C	-	3	2	2				
	W	Auto	Auto	1500W	1500W				Chicken risotto
	Heating stage	✓	✓	✓	✓				
	Cooking time	X	3 ½mins	2mins	45 secs				
Risotto	Add oil	130°C	Add veg & meat 100°C→100°C	Add rice 130°C→130°C	Add wine 140°C	Add liquid 99°C→99°C	Keep warm 75°C		Chicken risotto
	°C	-	2→4	0→2	0	0→1	0		
	W	1200W	1000W→1500W	1200W→1500W	1500W	1500W→1200W	Auto		Beef casserole
	Heating stage	✓	X	✓	✓	✓	X		
	Cooking time	X	2mins→3mins	1min→3mins	1min	3mins→10mins	5mins		
Ragout	Add oil	140°C	Add meat 180°C→180°C	Add veg 140°C	Add liquid 95°C	Keep warm 80°C	N/A		Beef casserole
	°C	-	0→1	4	9	9			
	W	1200W	1500W→1500W	1500W	Auto	Auto			Salmon broth
	Heating stage	✓	✓	✓	✓	X			
	Cooking time	X	2mins→3½mins	10mins	4hrs	30mins			
Broth	Add oil	140°C	Add veg 130°C→130°C	Add liquid 99°C	Add meat/fish 98°C	Keep warm 80°C	N/A		Salmon broth
	°C	-	2→4	9	-	9			
	W	1200W	1200W→1500W	Auto	Auto	Auto			
	Heating stage	✓	✓	✓	✓	X			
	Cooking time	X	1min→5mins	10mins	20mins	30mins			

Note:

- Some programme phases have heating stages that allow ingredients to reach the specified temperature before the phase starts.
- HSHT (as displayed on screen) = High Speed, High Temperature mode

programmes

SAVOURY		Phase 1 (P1)	Phase 2 (P2)	Phase 3 (P3)	Phase 4 (P4)	Phase 5 (P5)	Phase 6 (P6)	Tools used	Recipe ideas
sauce	Béchamel	Add butter 80°C→80°C	Add flour 110°C→110°C	Add liquid 99°C	Keep warm 85°C	N/A	N/A		Béchamel sauce, cheese sauce, parsley sauce
	°C	→	HSHT 6→HSHT 6	HSHT 6	HSHT 6				
	W	750W→750W	1000W→750W	750W	500W				
	Heating stage	✓	✓	✓	✗				
	Cooking time	1min→15secs	1min→4mins	15mins	30mins				
	Traditional	Add oil 120°C	Add veg 120°C	Add liquid 110°C→98°C	Keep warm 80°C				
	°C	-	3	2→2	9				
	W	Auto	Auto	1500W→1500W	Auto				
	Heating stage	✓	✓	✓	✗				
	Cooking time	10mins	10mins	4mins→15mins	30mins				
Hollandaise	Melt butter and remove 60°C	Add yolks & liquid 72°C	Slowly add melted butter 72°C	N/A	N/A	N/A		Béarnaise sauce, Hollandaise sauce	
°C	2	HSHT 6	HSHT 6						
W	Auto	750W	750W						
Heating stage	✓	✓	✗						
Cooking time	10mins	4mins	2mins						

Note:

- Some programme phases have heating stages that allow ingredients to reach the specified temperature before the phase starts.
- HSHT (as displayed on screen) = High Speed, High Temperature mode

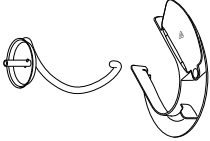

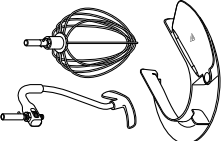

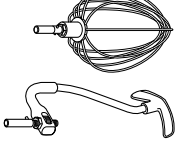

programmes

SWEET	Phase 1 (P1)	Phase 2 (P2)	Phase 3 (P3)	Phase 4 (P4)	Phase 5 (P5)	Phase 6 (P6)	Tools used	Recipe Ideas
chocolate tempering	White/Milk chocolate	Add chocolate 1	Keep warm	N/A	N/A	N/A		Coating truffles, cake decorating
	°C	42°C→42°C	Add chocolate 2					
		9→4	42°C→OFF→31°C	31°C				
	W	Auto→Auto	4→4→4	0				
	Heating stage	✓	Auto→Auto→Auto	1000W				
	Cooking time	10mins→20mins	X	X				
			→→→10mins	2hrs				
	Plain chocolate	Add chocolate 1	Keep warm	N/A				
	°C	47°C→47°C	Add chocolate 2	31°C				
		9→4	47°C→OFF→31°C	0				
W	Auto→Auto	4→4→4	1000W					
Heating stage	✓	Auto→Auto→Auto	X					
Cooking time	10mins→20mins	→→→10mins	2hrs					
doughs	Choux pastry	Add water & butter	Add flour	N/A	N/A	N/A		Profiteroles, eclairs
	°C	90°C	Add flour					
		2	OFF	OFF				
	W	Auto	0	Speed 4				
	Heating stage	✓	Auto	Auto				
	Cooking time	1min	X	X				
			-	-				
	Standard Doughs	Add liquid, flour & yeast	-	Proofing	Knocking back			
	°C	OFF	OFF	28°C	OFF			
		0	Speed 1	OFF	0			
W	OFF	OFF	250W	OFF				
Heating stage	X	X	X	X				
Mixing time	2mins	8mins	1hr	1min				

Note:

- Some programme phases have heating stages that allow ingredients to reach the specified temperature before the phase starts.
- HSHT (as displayed on screen) = High Speed, High Temperature mode

programmes

SWEET		Phase 1 (P1)	Phase 2 (P2)	Phase 3 (P3)	Phase 4 (P4)	Phase 5 (P5)	Phase 6 (P6)	Tools used	Recipe ideas
doughs	Enriched doughs	Add liquid, flour & yeast	-	Add butter	Proofing	Knocking back	N/A		Brioche
	°C	OFF	OFF	OFF	28°C	OFF			
		0	Speed 1	Speed 1	OFF	0			
	W	OFF	OFF	OFF	350W	OFF			
	Heating stage	✓	X	X	X	X	X		
	Mixing time	2mins	8mins	5mins	1hr	1min			
meringue	Italian	Add egg whites, sugar & water	Keep warm	N/A	N/A	N/A	N/A		Baked Alaska, cake Frosting
	°C	118°C→OFF	OFF						
		HSHT 6→HSHT 6	HSHT 6						
	W	750W→Auto	750W						
	Heating stage	✓	X						
	Cooking time	1min→10mins	10mins						
	Swiss	Add egg whites, sugar & water	Keep warm	N/A	N/A	N/A	N/A		Buttercream frostings
	°C	45°C→OFF	OFF						
		Speed 6→Speed 6	Speed 6						
	W	750W→Auto	750W						
Heating stage	✓	X							
Cooking time	1min→10mins	10mins							

Note:

- Some programme phases have heating stages that allow ingredients to reach the specified temperature before the phase starts.
- HSHT (as displayed on screen) = High Speed, High Temperature mode

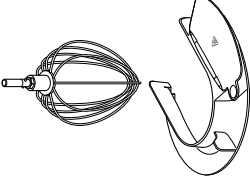
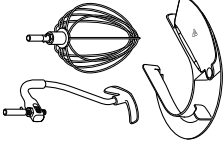

programmes

SWEET		Phase 1 (P1)	Phase 2 (P2)	Phase 3 (P3)	Phase 4 (P4)	Phase 5 (P5)	Phase 6 (P6)	Tools used	Recipe ideas
compote	Fruit compote	Add fruit, pectin & sugar	N/A	N/A	N/A	N/A	N/A		Strawberry compote
	°C	104°C→OFF							
		2→0							
	W	750W→Auto							
	Heating stage	✓							
	Cooking time	10mins→10mins							
sauces	Pate de Fruit	Add puree, sugar & pectin	Add sugar & glucose	Add citric acid	N/A	N/A	N/A		Pâte de fruit
	°C	100°C	107°C	100°C→70°C					
		HSHT 3	HSHT 3	HSHT 3					
	W	Auto	Auto	Auto					
	Heating stage	✓	✓	✓					
	Cooking time	2mins	10mins	2mins→-					
sauces	Crème Pâtisserie	Add egg & sugar	Add liquid	Keep warm	N/A	N/A	N/A		Profiterole filling
	°C	OFF	101°C→70°C	70°C					
		Speed 2	0→0	0					
	W	-	Auto→Auto	Auto					
	Heating stage	✗	✓	✗					
	Cooking time	2mins	5mins→-	30mins					
sauces	Crème Anglaise	Add egg & sugar	Add liquid	Keep warm	N/A	N/A	N/A		Crème Anglaise
	°C	OFF	87°C	80°C					
		Speed 2	0	0					
	W	OFF	Auto	Auto					
	Heating stage	✗	✓	✗					
	Cooking time	3mins	12mins	30mins					

Note:

- Some programme phases have heating stages that allow ingredients to reach the specified temperature before the phase starts.
- HSHT (as displayed on screen) = High Speed, High Temperature mode

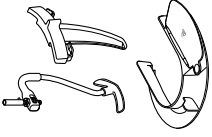

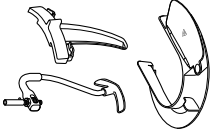

programmes

SWEET		Phase 1 (P1)	Phase 2 (P2)	Phase 3 (P3)	Phase 4 (P4)	Phase 5 (P5)	Phase 6 (P6)	Tools used	Recipe Ideas
sauces	Sabayon	Add egg, sugar & liquid	Keep warm	N/A	N/A	N/A	N/A		Sabayon
	°C	74°C→OFF	50°C						
	⌚	HSHT Max→ HSHT Max	HSHT Max						
	W	750W→Auto	500W						
	Heating stage	✓	X						
	Cooking time	2mins→-	15mins						
others	Pate de Bombe	Add eggs & sugar	Keep warm	N/A	N/A	N/A	N/A		Base for mousses
	°C	OFF→118°C→OFF	OFF						
	⌚	HSHT 6	HSHT 6						
	W	500W	500W						
	Heating stage	✓	X						
	Cooking time	2→1→-	10mins						
others	Popcorn	Add oil	Add popcorn kernals	N/A	N/A	N/A	N/A		Popcorn
	°C	180°C	180°C						
	⌚	-	-						
	W	Auto	Auto						
	Heating stage	✓	X						
	Cooking time	X	10mins						

Note:

- Some programme phases have heating stages that allow ingredients to reach the specified temperature before the phase starts.
- HSHT (as displayed on screen) = High Speed, High Temperature mode

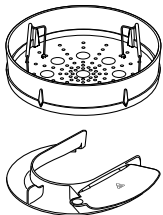

programmes

SLOW COOK	Phase 1 (P1)	Phase 2 (P2)	Phase 3 (P3)	Phase 4 (P4)	Phase 5 (P5)	Phase 6 (P6)	Tools used	Recipe ideas
High	Add ingredients	Keep warm	N/A	N/A	N/A	N/A		Casseroles
°C	98°C → 95°C	80°C						
	0 → 9	-						
W	1500W → 1000W	Auto						
Heating stage	✓	X						
Cooking time	20mins → 2hrs	30mins						
Low	Add ingredients	Keep warm	N/A	N/A	N/A	N/A		Casseroles
°C	98°C → 85°C	80°C						
	0 → 9	9						
W	1500W → 1000W	Auto						
Heating stage	✓	X						
Cooking/mixing time	10mins → 7hrs	30mins						

Note:

- High slow cook operates at 95°C and is ideal for slow cooking tougher meats.
- Low slow cook operates at 85°C and is ideal for slow cooking meats such as chicken and vegetables.
- Some programmes have heating stages that allow ingredients to reach the specified temperature before the phase starts.

programmes

STEAM	Phase 1 (P1)	Keep Warm	Tools used	Comments
°C	102°C	65°C		Note: • Refer to steamer basket instruction manual for recommended quantities and times – adjust the cooking time as required.
	–	–		
W	Auto	Auto		
Heating stage	✓	✗		
Cooking time	10mins	30mins		

how to skip programme phases

- 1 Press and hold the display dial for 5 seconds. “RECIPE PHASES” will appear on the display screen.
- 2 Turn the display dial to choose the desired phase (P1, P2, P3, etc.) and press the dial to confirm.
- 3 Follow the instructions on the display screen.

Display screen text explained

During the pre-set programmes, various messages will appear on the display screen.

Message	Description
COOLING DOWN	The bowl is cooling to a set temperature.
HEATING	The bowl is getting up to temperature.
HSHT MODE	High Speed High Temperature mode.
KNEADING	A process in bread making when the dough is stretched.
KNOCK BACK	Knocking back removes large pockets of air bubbles to create an even texture.
PROOFING	A stage in bread making where the dough is allowed to rise.
TEMPERING	Accurately controlling the temperature of chocolate to obtain a smooth, glossy finish.
PROCESSING	Part of a programme where the Cooking Chef is mixing without heating.

adjusting the height of the tools

whisk, stainless steel K beater

For best performance the whisk and K beater should be **almost** touching the bottom of the bowl **5**. If necessary adjust the height using the spanner provided.

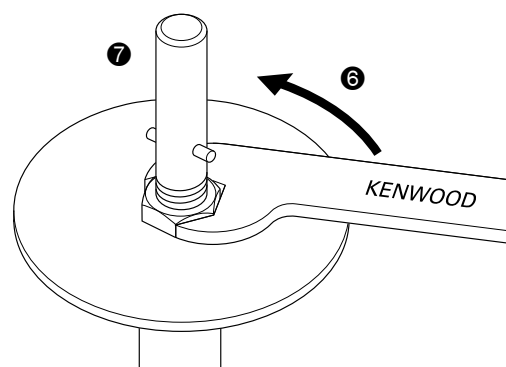
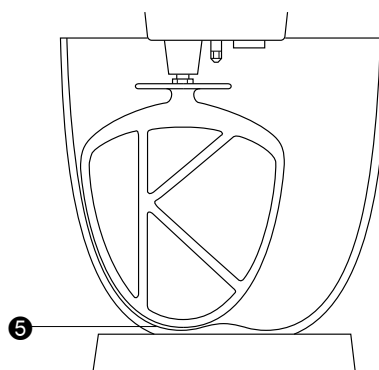
- 1 Unplug the appliance.
- 2 Raise the mixer head and insert the whisk or beater.
- 3 Lower the mixer head. If the clearance needs to be adjusted, raise the mixer head and remove the tool.
- 4 Using the spanner provided loosen the nut **6** sufficiently to allow adjustment of the shaft **7**. To lower the tool closer to the bottom of the bowl, turn the shaft anti-clockwise. To raise the tool away from the bottom of the bowl turn the shaft clockwise.
- 5 Re-tighten the nut.
- 6 Fit the tool to the mixer and lower the mixer head. (Check its position see points above).
- 7 Repeat the above steps as necessary until the tool is set correctly. Once this is achieved tighten the nut securely.

high temperature creaming beater - this tool should just touch the bottom of the bowl.

stir tool - this tool should just touch the bottom of the bowl.

- 1 Unplug the appliance.
- 2 Raise the mixer head and insert the stir tool.
- 3 Lower the mixer head. If the tool needs adjustment, raise the mixer head and use the spanner to loosen the nut, then lower the mixer head.
- 4 To lower the tool closer to the bottom of the bowl, turn the adjustment wheel clockwise. To raise the tool away from the bottom of the bowl, turn the adjustment wheel anti-clockwise.
- 5 Re-tighten the nut.

dough hook - this tool is set at factory and is not adjustable.



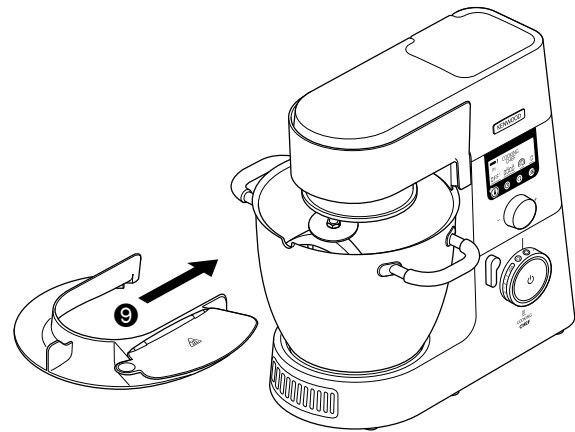
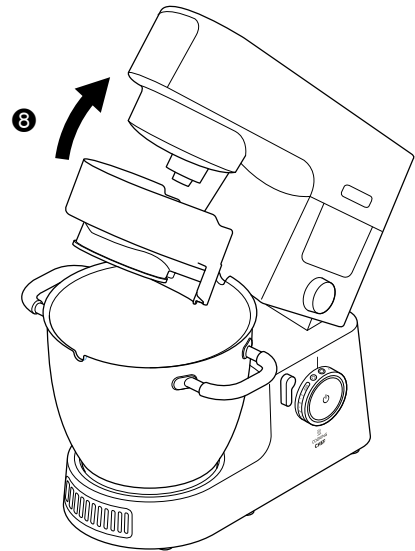
to fit and use your splashguard assembly

The splashguard assembly consists of 2 pieces: the heat shield and the splashguard.

The heat shield must be fitted during cooking operations otherwise the machine will not operate and "Fit heat shield" will be displayed. The heat shield is to protect the mixer head from steam produced during the cooking process.

The splashguard should not be fitted to the bowl unless used in conjunction with the heat shield.

- 1 Raise the mixer head until it locks.
 - 2 Push the heat shield upwards onto the underside of the mixer head ⑧ until fully located. The heat shield must never be used without the rubber seal correctly fitted.
 - 3 Fit the bowl onto the base.
 - 4 Lower the mixer head.
 - 5 Rest the splashguard on the bowl rim and then slide forward until fully located ⑨.
 - During mixing, ingredients can be added directly to the bowl via the feed chute.
 - 6 To remove the splashguard simply slide it away from the appliance.
 - 7 To remove the heat shield, raise the mixer head until it locks. Remove the tool, then pull the heat shield downwards from the underside of the mixer head.
- Note: Only fit or remove the splashguard when the mixer head is in the locked position.



to remove and fit outlet covers

High-speed outlet cover

- 1 To remove the cover, use the grip and lift upwards.
- 2 To fit, place the cover over the outlet and push downwards.

Slow-speed outlet cover

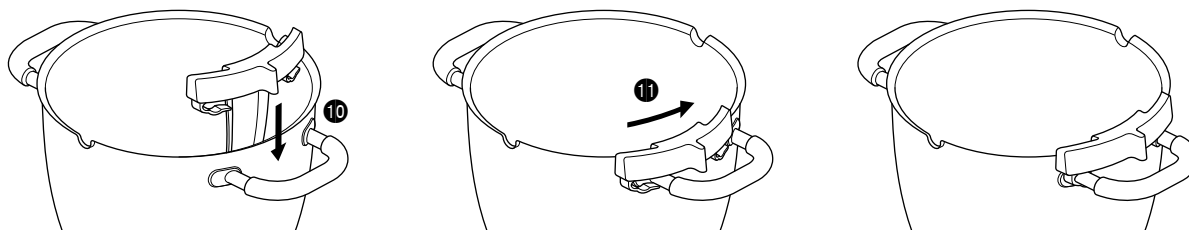
- 1 To remove the cover, use the grip on the underside and pull outwards.
- 2 To fit, locate the catch at the top of the cover into the outlet recess and push to clip into position.

to fit and remove your stir assist clip

The stir assist clip can be used to assist the mixing action.

- 1 Slot the stir assist clip over the side of the bowl with the vertical ridge on the inside and the clips on the outside ⑩.
- 2 Turn the clip anti-clockwise onto the bowl handles ⑪.
- 3 To remove, reverse the procedure.

IMPORTANT - The stir assist clip should not be fitted when using the K beater, whisk, dough hook or creaming beater.

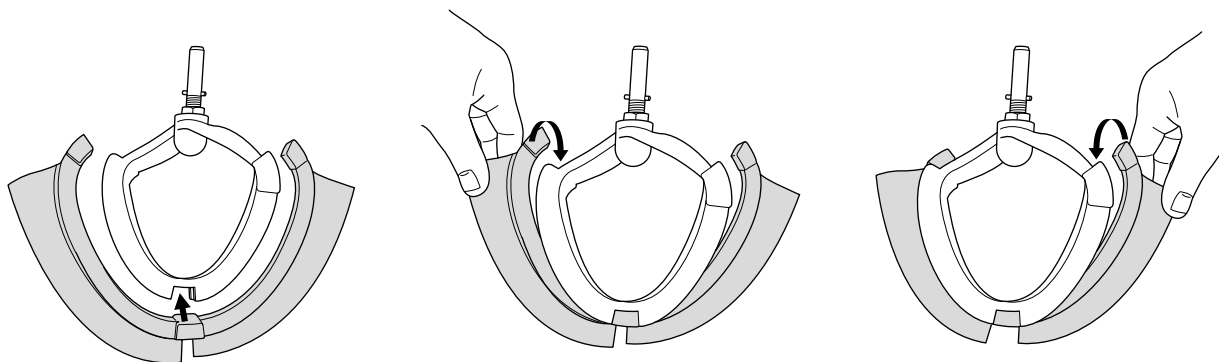


assembling the high temperature creaming beater

fitting the wiper blade

The wiper blade is supplied already fitted and should always be removed before cleaning.

- 1 Carefully fit the flexible wiper blade onto the tool by locating the base of the wiper blade into the slot then fit one side into the groove before gently hooking the end in place. Repeat with the other side.



Maximum capacities and recommended speeds

The following speeds are a guide only and will vary depending upon the quantity and the temperature of the ingredients being mixed etc.

Shortcrust pastry	Flour weight	910g/2lb
Stiff yeast dough	Flour weight	350g/12oz – 1.6kg/3lb 8oz
	Total weight	550g/1lb 3oz – 2.56kg/5lb 10oz
Soft yeast dough	Flour weight	250g/9oz – 2.6kg/5lb 12oz
	Total weight	480g/1lb 1oz – 5kg/11lb
Fruit cake mix	Total weight	4.55kg/10lb
Egg whites	Number	16
	Weight	(605g)
Cooking mode	Total capacity	3L
Oil	Total capacity	250ml

* Egg sizes used = medium sized (Weight 50g)

Tool	Recipe/Process	Recommended Speed
K-beater	Creaming butter/margarine and sugar	Start on 'Min', gradually increasing to 'Max'
	Beating eggs into creamed mixtures	4 – 'Max'
	Folding in flour, fruit, etc.	'Min' – 1
	All in one cakes	Start on 'Min', gradually increasing to 'Max'
	Rubbing fat into flour	'Min' to 2
High temperature creaming beater	Creaming butter/ margarine and sugar	Start on 'Min' gradually increasing to 3
	Scraping mixes both hot and cold from the sides of the bowl	Start on 'Min' gradually increasing to 3
Whisk	For eggs, cream, soufflés.	Gradually increase to 'Max'
Dough hook	For yeast mixtures only.	Start on 'Min, gradually increasing to 1
Stir tool	Suitable to use during cooking to maintain the consistency of food e.g. chicken, fish, vegetables and fruit.	Use with stir settings only

care and cleaning

- Always switch off and unplug before cleaning.
- A little grease may appear at **outlet** ② when you first use it. This is normal - just wipe it off.
- The metal surfaces of the temperature sensors may show signs of wear during normal use. This does not affect the performance of the product.
- Do not leave the high temperature flexible beater fitted to the mixer when not in use.

appliance, outlet covers

- Wipe with a damp cloth, then dry.
- Never use abrasives or immerse in water.

high temperature creaming beater

- Always remove the flexible wiper blade from the tool before cleaning.
- Wash the flexible wiper blade and tool in hot soapy water, then dry thoroughly. Alternatively the parts can be washed in a dishwasher.

Note: Please inspect the condition of the tool body before and after use and also regularly inspect the condition of the wiper blade and replace it if there are any signs of wear.

bowl, tools, splashguard, stir assist clip

- Wash by hand, then dry thoroughly or wash in the dishwasher.
- Never use a wire brush, steel wool or bleach to clean your stainless steel bowl. Use vinegar or a suitable descaler to remove limescale.

- If food sticks or burns on the inside of the bowl, remove as much as possible using the spatula provided. Fill the bowl with warm soapy water and allow to soak. Remove any stubborn deposits using a nylon brush.
- Any discolouration of the bowl will not affect its performance.

drain hole

- Ensure this area is free from food. If necessary use a pipe cleaner or cotton bud to clean.

temperature sensors

- Wipe with a damp cloth then dry thoroughly. Never use abrasives or sharp instruments to clean the sensors.

Item	Suitable for dishwashing
Bowl	✓
K-beater, whisk, creaming beater, stir tool	✓
Dough hook	✓
Stir assist clip	✓
Outlet covers	✗
Spatula	✓
Splashguard and heat shield	✓
Rubber seal	✓
Work surface protection mat	✓
Dough scraper	✓

service and customer care

If you experience any problems with the operation of the appliance, before calling for assistance refer to the troubleshooting guide or visit www.kenwoodworld.com.

If you need help with:

- using your appliance
- servicing or repairs (in or out of guarantee)

☎ call Kenwood customer care on

023 9239 2333. **Have your model number (e.g. TYPE KCC90) and date code (5 digit code e.g. 13L35) ready.**

They are on the underside of the power unit.

- **spares and attachments**

☎ call **0844 557 3653**.

other countries

- If you experience any problems with the operation of your appliance, before requesting assistance refer to the “troubleshooting guide” section in the manual or visit www.kenwoodworld.com.
- Please note that your product is covered by a warranty, which complies with all legal provisions concerning any existing warranty and consumer rights in the country where the product was purchased.
- If your Kenwood product malfunctions or you find any defects, please send it or bring it to an authorised KENWOOD Service Centre. To find up to date details of your nearest authorised KENWOOD Service centre visit www.kenwoodworld.com or the website specific to your Country.

- Designed and engineered by Kenwood in the UK.
- Made in China.




IMPORTANT INFORMATION FOR CORRECT DISPOSAL OF THE PRODUCT IN ACCORDANCE WITH THE EUROPEAN DIRECTIVE ON WASTE ELECTRICAL AND ELECTRONIC EQUIPMENT (WEEE)

At the end of its working life, the product must not be disposed of as urban waste.

It must be taken to a special local authority differentiated waste collection centre or to a dealer providing this service.

Disposing of a household appliance separately avoids possible negative consequences for the environment and health deriving from inappropriate disposal and enables the constituent materials to be recovered to obtain significant savings in energy and resources. As a reminder of the need to dispose of household appliances separately, the product is marked with a crossed-out wheeled dustbin.

troubleshooting guide

Problem	Cause	Solution
The machine will not operate in the heat mode and displays an error message and gives a warning beep.	One of the safety sensors has been activated.	Check display screen for notification of cause. <ul style="list-style-type: none"> • Ensure the head is lowered and locked. • Ensure all outlet covers are correctly fitted. • Ensure the heat shield is correctly fitted. • Ensure the cooking chef bowl is corrected fitted.
The machine changes speed or speed is limited during cooking.	The speed is automatically limited when the bowl contents reach 60°C and the hot temperature warning indicator will on.	This is a safety feature.
Food burning on the base of the bowl.	<ol style="list-style-type: none"> 1 The temperature setting selected may be too high. 2 Incorrect tool being used. 3 The stir delay is too long. 4 The tool may not be low enough in the bowl. 5 The timer has been set for too long. 6 The sensor and/or the underside of bowl may not be clean. 	<ol style="list-style-type: none"> 1 Reduce the temperature or power settings. 2 Check the most suitable tool is being used and adjusted correctly. 3 Increase the frequency of the stir delay or increase to a continuous operation. 4 Adjust the tool. 5 Cook for a shorter length of time (ensure food is thoroughly cooked). 6 Ensure that these areas are kept clean and dry.
Consistency of food not maintained.	<ol style="list-style-type: none"> 1 Temperature selected too high. 2 Stir delay too frequent. 3 Ingredients cooked for too long. 4 Incorrect tool being used. 	<ol style="list-style-type: none"> 1 Reduce temperature. 2 Reduce stir delay. 3 Reduce the cooking time (ensure food is thoroughly cooked). 4 Check the most suitable tool is being used.
Inconsistent mixing speed.	1 Ingredients too large, hard or too firm.	<ol style="list-style-type: none"> 1 Cut food into smaller pieces, remove stones from fruit, slowly melt ingredients without a tool in position (but ensure a speed has been selected). 2 Add ingredients after the head is lowered. 3 Check the most suitable tool is being used.
Difficult to shut mixer head.	<ol style="list-style-type: none"> 1 Firm ingredients such as chocolate in the bottom of the bowl prevent the mixer head from locking down. 2 Stir tool has been incorrectly fitted. 	<ol style="list-style-type: none"> 1 Add ingredients after the mixer head is lowered. 2 Ensure the stir tool is fitted into the stir tool outlet.
Mixer runs continuously when stir speeds are selected.	Outlet covers are incorrectly fitted.	Ensure the outlet covers are correctly fitted.
Motor speed is limited when using attachments	Hot bowl fitted.	Remove the bowl, or cool the bowl to below 60°C.
The whisk or K-beater knocks against the bottom of the bowl or not reaching the ingredients in the bottom of the bowl.	Tool at the wrong height and needs adjusting.	Adjust the height using a suitable spanner – see “Tool Adjustment” section.
The whisk, K-beater or creaming beater knock against the stir assist clip.	Stir assist clip is fitted.	Remove stir assist clip – this should be used when using the stir tool only.
Slow speed attachment cannot be fitted.	Check your attachment is compatible for use with your model. Twist connection system required (Model KAX) 	Attachment must have the KAX twist connection system  to fit the outlet. If you own attachments featuring the Bar Connection System  you will need to use the KAT002ME adaptor to connect these to the Twist Connection System on your Kitchen Machine. <i>For more information visit www.kenwoodworld.com/twist.</i>

Problem	Cause	Solution
Standby light flashing when Kitchen Machine first plugged in.	Speed control not in the 'O' position. Mixer head in the raised position or not locked down correctly.	Check and turn speed control to the 'O' position. Check Kitchen Machine head is locked down correctly.
The Kitchen Machine stops during operation. Standby light flashing rapidly.	Overload protection or overheat system activated. Maximum capacity exceeded.	Unplug and check for obstruction or overloading. Turn the speed control to "O" and then restart. If the machine will not operate, remove some of the ingredients to reduce the load and restart. If this still does not resolve the problem, unplug and allow to stand for 15 minutes. Plug in and reselect the speed. If the machine does not restart following the above procedure contact "customer care" for further advice.
The Kitchen Machine stops during operation. Standby light is flashing slowly.	1 Heat shield removed or an outlet cover removed. 2 Mixer head lifted. 3 Outlet attachment has exceeded its maximum running time.	1 Fit heat shield or outlet cover. Turn the speed control to "O" and then restart. 2 Lower mixer head. Turn the speed control to "O" and then restart. 3 Turn the speed control to "O" and then restart.
Standby light off whilst machine plugged in.	Kitchen machine has been left plugged in for more than 30 minutes without being operated and has gone into Standby mode.	Press the Standby button once to reset.
Display screen shows an alpha/numerical error code.	Appliance not functioning properly.	Contact an authorised Kenwood Service Centre. To find up to date details of your nearest Kenwood Service Centre visit www.kenwoodworld.com or the website specific to your country.
When contacting customer care, you may be required to supply details of the software version. This can be found by pressing the menu button and selecting "SETTINGS" then "VERSION".		

المشكلة	السبب المحتمل	الحل
يوميض ضوء زر وضع الاستعداد عند توصيل جهاز المطبخ المتكامل عند توصيله بالتيار الكهربائي للمرة الأولى.	مفتاح التحكم في السرعات غير موجه على موضع إيقاف التشغيل «O». رأس الخلاط مرفوعة أو غير مثبتة بشكل صحيح في الوضع المنخفض في موضع التعشيق.	تأكد من مفاتيح التحكم في السرعات وتوجيهه على موضع إيقاف التشغيل «O». تأكد من إنزال رأس جهاز المطبخ المتكامل بشكل صحيح لأسفل وتعشيقها في موضعها.
يتوقف جهاز المطبخ المتكامل خلال التشغيل. يوميض ضوء زر وضع الاستعداد بشكل سريع.	تم تنشيط وظيفة الحماية ضد التحميل الزائد أو الارتفاع المفرط لدرجة حرارة الجهاز. تم تجاوز السعة القصوى المحددة. افصلي الجهاز عن مصدر التيار الكهربائي وتأكد من عدم وجود أي انحصار أو عالق أو تحميل زائد.	لفي مفتاح التحكم في السرعات إلى وضع إيقاف التشغيل «O» ثم أعيدي تشغيل الجهاز مرة أخرى. في حالة عدم عمل الجهاز، ففي هذه الحالة أزيل كمية من المكونات لتقليل الحمل وأعيدي تشغيل الجهاز. إذا لم يساعد ذلك في حل المشكلة، افصلي الجهاز عن مصدر التيار الكهربائي واتركه ١٥ دقيقة ليبرد. وصلي الجهاز بمصدر التيار الكهربائي وأعيدي تحديد السرعة المطلوبة. في حالة عدم عمل الجهاز بعد الإجراءات السابقة، ففي هذه الحالة اتصلي بمركز «خدمة العملاء» لطلب المساعدة.
يتوقف جهاز المطبخ المتكامل خلال التشغيل. يوميض ضوء زر وضع الاستعداد ببطء.	١ تم إزالة الواقي الحراري أو إزالة غطاء المخرج. ٢ تم رفع رأس الخلاط. ٣ ملحق المخرج تجاوز حد الوقت الأقصى المسموح للتشغيل.	١ ركب الواقي الحراري أو مخرج الغطاء. لفي مفتاح التحكم في السرعات إلى وضع إيقاف التشغيل «O» ثم أعيدي تشغيل الجهاز مرة أخرى. ٢ اخفضي رأس الخلاط. لفي مفتاح التحكم في السرعات إلى وضع إيقاف التشغيل «O» ثم أعيدي تشغيل الجهاز مرة أخرى. ٣ لفي مفتاح التحكم في السرعات إلى وضع إيقاف التشغيل «O» ثم أعيدي تشغيل الجهاز مرة أخرى.
ضوء زر وضع الاستعداد مطفأ على الرغم من توصيل الجهاز بمصدر التيار الكهربائي.	تم توصيل جهاز المطبخ المتكامل بمصدر التيار الكهربائي لمدة أطول من ٣٠ دقيقة دون استخدامه وبذلك دخل الجهاز في وضع الاستعداد.	اضغطي على زر وضع الاستعداد مرة أخرى لإعادة تشغيل الجهاز.
تعرض شاشة العرض رسالة خطأ مكتوبة بالأرقام والأحرف.	الجهاز لا يعمل بشكل صحيح.	اتصلي بمركز خدمة معتمد من قبل Kenwood. للحصول على معلومات محدثة حول أقرب مركز خدمة معتمد من Kenwood، يرجى زيارة موقع الويب www.kenwoodworld.com ، أو موقع الويب المخصص لذلك.
عند الاتصال بمركز خدمة العملاء، قد تحتاجين إلى إمدادهم بتفاصيل عن رقم إصدار برنامج التشغيل الحالي. يمكنك الحصول على هذه المعلومة عن طريق الضغط على زر القائمة وتحديد «SETTINGS» (إعدادات) ثم «VERSION» (الإصدار).		

دليل استكشاف المشكلات وحلها

المشكلة	السبب المحتمل	الحل
الخلاط الطاهي لا يعمل في وضع التسخين ويعرض رسالة خطأ ويصدر نغمة قصيرة عالية التحذير.	تم تنشيط أحد مستشعرات الأمان.	راجعى شاشة العرض لمعرفة تنبيهات السبب. • تأكدي من خفض رأس الخلاط الطاهي واستقرارها في موضع التشغيل. • تأكدي من تركيب جميع أغطية المخارج بشكل صحيح. • تأكدي من تركيب الواقي الحراري بشكل صحيح. • تأكدي من تركيب سلطانية جهاز شيف الطهي بشكل صحيح.
الجهاز يغير من سرعة التشغيل أو هناك حدود على سرعة الجهاز أثناء الطهي.	يتم حد السرعة تلقائياً عندما تصل محتويات السلطانية إلى درجة حرارة ٦٠ درجة مئوية وعندئذ يضيء مؤشر تحذير درجة حرارة عالية.	هذه إحدى ميزات الأمان.
يلتئق الطعام الموجود في قاع السلطانية.	١ قد يكون إعداد درجة الحرارة المحدد عالي جداً. ٢ الأداة المستخدمة غير صحيحة. ٣ فترة تأخير التقليل طويلة جداً. ٤ قد لا تكون الأداة منخفضة بالشكل الكافي داخل السلطانية. ٥ تم تعيين زمن المؤقت لفترة زمنية طويلة جداً. ٦ قد يكون المستشعر و/أو الجزء السفلي من السلطانية غير نظيف.	١ قللي درجة الحرارة أو إعدادات القدرة. ٢ تأكدي من استخدام الأداة الأكثر ملاءمة وضبطها على نحو صحيح. ٣ زيدي تكرار وظيفة التقليل أو زيدي فترة التشغيل المستمر. ٤ اضبطي الأداة المستخدمة. ٥ اطهي لفترة زمنية قصيرة (تأكدي من طهي المكونات تماماً). ٦ تأكدي من الحفاظ على هذه المناطق نظيفة وجافة.
لا يتم الحفاظ على قوام الطعام.	١ درجة الحرارة المحددة عالية جداً. ٢ فترة تأخير التقليل قريبة جداً. ٣ تم طهي المكونات لفترة زمنية طويلة جداً. ٤ الأداة المستخدمة غير صحيحة.	١ خفضي درجة الحرارة. ٢ خفضي فترة تأخير التقليل. ٣ خفضي زمن الطهي (تأكدي من طهي المكونات تماماً). ٤ تأكدي من استخدام الأداة الأكثر ملاءمة.
سرعة الخلط غير متسقة.	١ المكونات كبيرة جداً في الحجم أو صلبة جداً.	١ قطعي المكونات إلى قطع صغيرة وأزيلي البذور عن الفاكهة وأن يبي المكونات ببطء بدون تركيب أية أداة (وكلن تأكدي من تحديد إحدى السرعات). ٢ أضيفي المكونات بعد خفض رأس الخلاط الطاهي في موضع التشغيل. ٣ تأكدي من استخدام الأداة الأكثر ملاءمة.
صعوبة في قفل رأس الخلاط.	١ في حالة عدم تقليل مكونات السلطانية بشكل متساو فسيكون هناك تفاوتاً في درجة حرارة المكونات داخل السلطانية. ٢ تم تركيب أداة التقليل على نحو خاطئ.	١ اتركي فترة زمنية للسماح بخلط المكونات تماماً. ٢ تأكدي من تركيب أداة التقليل في مخرج أداة التقليل. تأكدي من تركيب أغطية المخارج بشكل صحيح.
يعمل الخلاط بشكل مستمر عند اختيار سرعات التقليل.	غطية المخارج مركبة بطريقة غير صحيحة.	
سرعة الموتور محدودة عند استخدام الملحقات	تم تركيب سلطانية ساخنة.	أزيلي السلطانية أو برديها لدرجة حرارة أقل من ٦٠ درجة مئوية.
خفاقة البيض أو مضرب العجين يقرع قاع الوعاء أو لا يصل إلى المكونات الموجودة في قاع الوعاء.	ارتفاع الأداة غير صحيح وتحتاج لضبط ارتفاعها.	اضبطي طول الأداة باستخدام مفتاح ربط لتعديل الارتفاع - راجعي قسم "ضبط الأداة".
هناك تصادم بين الخفاقة، الخفاقة K أو مضرب الخلطات الكريمة مع مشبك التقليل المساعد.	مشبك التقليل المساعد مركب.	أزيلي مشبك التقليل المساعد - حيث يجب استخدامه فقط عند استخدام أداة التقليل.
ملحق السرعة المنخفضة لا يمكن تركيبه.	تأكدي من توافق الملحق مع الاستخدام مع موديل الجهاز لديك. يتطلب نظام Twist connection system (الموديل KAX) (TWIST)	يجب أن شعار KAX الخاص بنظام twist connection system موجوداً على الملحق حتى تتمكني من تركيبه في المخرج. إذا كان لديك ملحقات تعمل على نظام Bar Connection System (BAB) ، ففي هذه الحالة ستحتاجين إلى استخدام منظم KAT002ME حتى يمكنك توصيل هذه الملحقات مع نظام twist connection system الموجود في موديل جهاز المطبخ المتكامل لديك. لمزيد من المعلومات زوري الموقع: www.kenwoodworld.com/twist

العناية والتنظيف

- أوقف دائماً تشغيل الجهاز وافصله عن مصدر التيار الكهربائي قبل التنظيف.
- قد يظهر قليل من الشحم عند المخرج ② عند الاستخدام لأول مرة. هذا أمر طبيعي - فقط امسحيه.
- قد يظهر على الأسطح المعدنية لمستشعرات درجة الحرارة آثار تآكل أثناء الاستخدام العادي. لن يؤثر ذلك على أداء الجهاز.
- لا تترك المضرب المرن لدرجات الحرارة المرتفعة في الجهاز (مركب في الجهاز) في حالة عدم استخدامه.

الجهاز وأغطية المخارج

- مسح بقعة قماش رطبة ثم التجفيف.
- يحذر استخدام المواد الكاشطة أو الغمر في الماء.

مضرب الخلطات الكريمة الساخنة

- أزيل دائماً شفرة الخفاقة المرنة عن الملحق (الأداة) قبل التنظيف.
- اغسلي الخفاقة المرنة والملحق (الأداة) في محلول ماء وصابون ساخن ثم جففيهما جيداً. أو بطريقة أخرى، يمكن غسل هذه الأجزاء في غسالة الأطباق.

ملاحظة: يرجى فحص حالة جسم الأداة قبل وبعد الاستخدام وأيضاً فحص حالة شفرة المضرب بانتظام واستبدالها في حالة ظهور أي من علامات التآكل.

السلطانية والأدوات وواقى الرذاذ ومشبك التعثر

- غسيل يدوي ثم التجفيف جيداً أو غسيل في غسالة الأطباق.
- يحذر استخدام فرشاة من السلك أو الصوف المعدني أو مواد التبييض عند تنظيف السلطانية المصنوعة من الصلب عديم الصدأ. استخدم الخل أو سائل مناسب لإزالة الترسبات الجيرية.
- في حالة التصاق أو احتراق الطعام داخل السلطانية، أزيل أكبر كمية ممكنة باستخدام الملاعقة المزودة. املئي السلطانية بمحلول ماء وصابون دافئ واتركيها منقوعة. أزيل أي رواسب صعبة باستخدام فرشاة مصنوعة من النايلون.
- أي تغير في لون السلطانية لن يؤثر على الأداء.

- فتحة التصريف
- تأكد من خلو هذه المنطقة من الطعام. إذا لزم الأمر استخدم منظف أنابيب (سلاكة مواسير) أو طرف مدبب من القطن لتنظيفها.
- مستشعرات درجة الحرارة
- مسح بقطعة قماش رطبة ثم التجفيف تماماً. يحذر استخدام مواد كاشطة أو أدوات حادة لتنظيف المستشعرات.

العنصر	العناصر المناسبة للغسيل داخل غسالة الأطباق
السلطانية	✓
الخفاقة K، الخفاقة، مضرب الخلطات الكريمة، أداة التقليل	✓
خطاف العجين	✓
مشبك التقليل المساعد	✓
أغطية المخارج	X
الملاعقة البلاستيكية	✓
واقى الرذاذ والواقى الحراري	✓
سدادة الإحكام المطاطية	✓
سجادة حماية سطح العمل	✓
كاشطة العجين	✓

الصيانة والعناية بالعملاء

- في حالة مواجهة أية مشكلة متعلقة بتشغيل الجهاز، قبل الاتصال لطلب المساعدة، يرجى مراجعة قسم «دليل اكتشاف المشكلات وحلها» في الدليل أو زيارة موقع الويب www.kenwoodworld.com.
- يرجى الملاحظة بأن جهازك مشمول بضمان، هذا الضمان يتوافق مع كافة الأحكام القانونية المعمول بها والمتعلقة بحقوق الضمان والمستهلك في البلد التي تم شراء المنتج منها.
- في حالة تعطل منتج Kenwood عن العمل أو في حالة وجود أي عيوب، فيرجى إرساله أو إحضاره إلى مركز خدمة معتمد من KENWOOD. للحصول على معلومات محدثة حول أقرب مركز خدمة معتمد من KENWOOD، يرجى زيارة موقع الويب www.kenwoodworld.com، أو موقع الويب المخصص لبلدك.

- تصميم وتطوير Kenwood في المملكة المتحدة.
- صنع في الصين.



معلومات هامة هو الكيفية الصحيحة للتخلص من المنتج وفقاً لتوجيهات الاتحاد الأوروبي المتعلقة بنفايات المعدات الكهربائية والإلكترونية (WEEE)

في نهاية العمر التشغيلي للجهاز، يجب عدم التخلص من الجهاز في نفايات المناطق الحضرية.

بل يجب أخذه إلى مركز تجميع خاص بجهة محلية متخصصة في التخلص من هذه النفايات أو إلى تاجر يقدم هذه الخدمة.

التخلص من الأجهزة المنزلية على نحو منفصل، يجنب الآثار السلبية المحتملة على البيئة والصحة والتي تنتج عن التخلص من هذه النفايات بطريقة غير مناسبة، كما أن هذه العملية تسمح باسترداد المواد المكونة الأمر الذي يتيح الحصول على وفورات كبيرة في مجال الطاقة والموارد. للتذكير بضرورة التخلص من الأجهزة المنزلية على نحو منفصل، يوجد على الجهاز صورة مشطوبة لسلة قمامة ذات عجلات.

السعات القصوى والسرعات الموصى بها

السرعات الموضحة مرجعية فقط وتختلف حسب كمية المكونات المراد خلطها ودرجة حرارتها.

المعجنات ذات القشرة الهشة	وزن الدقيق	٩١٠ غرام
عجين الخبز	وزن الدقيق	٣٥٠ غرام - ١,٦ كيلوغرام
	الوزن الإجمالي	٥٥٠ غرام - ٢,٥٦ كيلوغرام
عجينة الخميرة الخفيفة (غنية بالزبد والبيض)	وزن الدقيق	٢٥٠ غرام - ٢,٦ كيلوغرام
	الوزن الإجمالي	٤٨٠ غرام - ٥ كيلوغرام
خلطة كيك الفاكهة	الوزن الإجمالي	٤,٥٥ كيلوغرام - خلطة ١٥ بيضة
بياض البيض	العدد الوزن	١٦ (٦٠٥ غرام)
وضع الطهي	إجمالي السعة	٣ لتر
الزيت	إجمالي السعة	٢٥٠ مل

* حجم البيض المستخدم = الحجم المتوسط (بوزن بين ٥٠ غرام)

الأداة	الوصفة/الطريقة	السرعة الموصى بها
مضرب العجين K	مزج الزيت/السمن مع السكر	ابدئي بالسرعة المنخفضة «Min» زيديها بالتدرج إلى السرعة القصوى «Max»
	خفق البيض مع الخلطات ذات القوام الكريمي	السرعة «٤» إلى السرعة القصوى «Max»
	طيّ الدقيق والفاكهة ما شابه	«Min» (منخفضة) - ١
	خلطات الكعكات الجاهزة	ابدئي بالسرعة المنخفضة «Min» ثم زيديها بالتدرج إلى السرعة القصوى «Max»
مضرب الخلطات الكريمة الساخنة	هرس السمن مع الدقيق	«Min» (منخفضة) إلى ٢
	مزج الزيت/السمن مع السكر	ابدئي بسرعة «Min» (منخفضة) ثم زيديها بالتدرج إلى ٣.
	كشط الخلطات الساخنة والباردة عن جوانب السلطانية	ابدئي بسرعة «Min» (منخفضة) ثم زيديها بالتدرج إلى ٣.
مضرب البيض	لخفق البيض والقشدة والسوفليه.	زيادة السرعة تدريجياً إلى السرعة القصوى «Max»
خطاف العجين	لخلطات العجين المخمر	ابدئي بسرعة «Min» (منخفضة) ثم زيديها بالتدرج إلى ١.
أداة التقليب	مناسبة للاستخدام خلال عملية الطهي للمحافظة على قوام الأطعمة مثل الدجاج والسّمك والخضراوات والفاكهة.	استخدمي إعدادات التقليب فقط.

إزالة وتركيب أغطية المخارج

غطاء مخرج السرعة العالية

- ١ لإزالة الغطاء، استخدم المقبض وارفعه لأعلى.
- ٢ لتركيب الغطاء، ضعي الغطاء على المخرج واضغطي عليه لأسفل.

غطاء مخرج السرعة المنخفضة

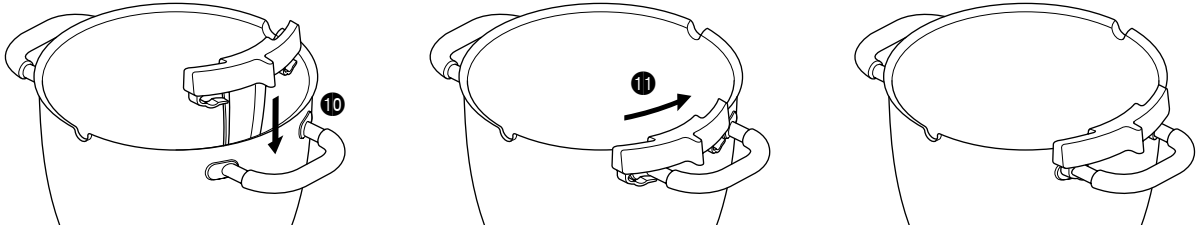
- ١ لإزالة الغطاء، استخدم المقبض الموجود على الجانب السفلي واسحبيه للخارج.
- ٢ لتركيب الغطاء، ركي الماسكة الموجودة على الجانب العلوي للغطاء في تجويف المخرج وادفعي الغطاء ليستقر في موضع التثبيت محدثاً صوت طقطقة.

تركيب وإزالة مشبك التقليل المساعد

يمكن استخدام مشبك التقليل المساعد للمساعدة في عملية الخلط.

- ١ أدخل مشبك التقليل المساعد من جانب السلطانية مع توجيه النتوء الرأسي إلى الداخل والمشابك إلى الخارج ⑩.
- ٢ لفي المشبك في اتجاه عكس عقارب الساعة في مقابض السلطانية ⑪.

- ٢ للإزالة، اعكسي الإجراء السابق.
- هام - يجب عدم تركيب مشبك التقليل المساعد عند استخدام الخفاقة K أو الخفاقة أو خطاف العجين أو مضرب الخلطات الكريمة.

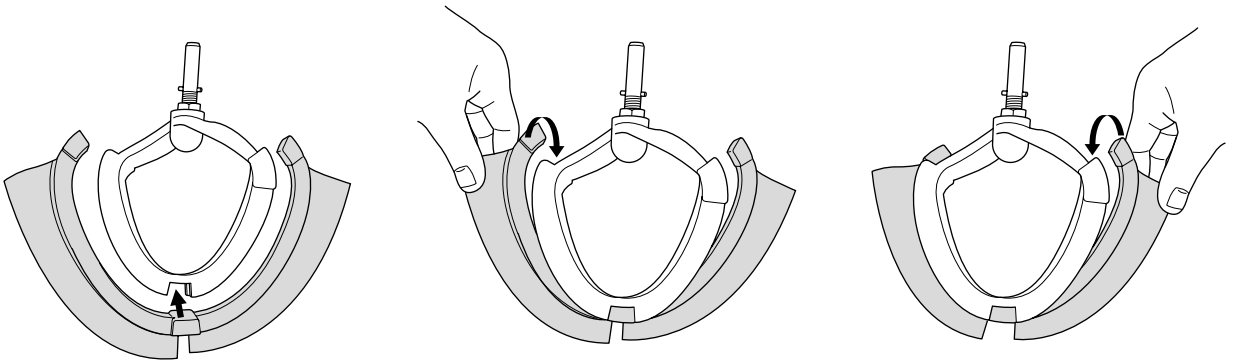


تجميع مضرب الخلطات الكريمة الساخنة

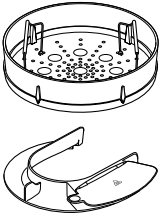
تركيب الخفاقة المرنة

تزود الخفاقة المرنة مركبة بالفعل ويجب فكها دائماً قبل التنظيف.

- ١ ركي الخفاقة المرنة بحذر في الملحق (الأداة) عن طريق إدخال قاعدة الخفاقة المرنة في الشق، ثم إدخال أحد جانبي الخفاقة في التجويف قبل تعشيق طرف الخفاقة برفق في موضعه. كرري نفس الخطوات مع الجانب الآخر.



البرامج

تعليقات	الأدوات المستخدمة	تدفئة مستمرة	المرحلة 1 (P1)	STEAM الطهي بالبخار
<p>ملاحظة:</p> <ul style="list-style-type: none"> • راجعي دليل تعليمات سلة التبخير لمعرفة الكميات والأزمنة الموصى بها - اضبطي زمن الطهي حسب الحاجة. 		٦٥ درجة	١٠٢ درجة	°C
		-	-	⌚
		Auto (تلقائية)	Auto (تلقائية)	W
		X	✓	مرحلة التسخين
		٣٠ دقيقة	١٠ دقائق	زمن الطهي

كيفية تجاوز مراحل برنامج طهي

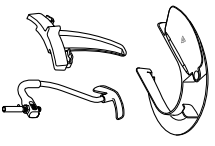
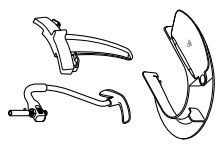
- ١ اضغطي مع الاستمرار على قرص العرض لمدة ٥ ثوان. تظهر الرسالة "RECIPE PHASES" (مراحل وصفة التحضير) على شاشة العرض.
- ٢ لفي قرص العرض لاختيار المرحلة المطلوبة (P1 أو P2 أو P3 وما إلى ذلك) ثم اضغطي على القرص للتأكيد.
- ٣ اتبعي التعليمات الموضحة على شاشة العرض.

تفسير نصوص شاشة العرض

خلال برامج الطهي سابقة الإعداد، يتم عرض رسائل مختلفة على شاشة العرض.

الوصف	الرسالة
يتم تبريد السلطانية إلى درجة حرارة معينة.	COOLING DOWN (تبريد)
يتم تسخين السلطانية إلى درجة حرارة معينة.	HEATING (تسخين)
وضع السرعة العالية ودرجة الحرارة العالية.	HSHT MODE (وضع HSHT)
مرحلة في عملية تحضير الخبز يتم فيها استطالة العجين.	KNEADING (عجن)
تعمل عملية الصدم على التخلص من فقاعات الهواء لخلق قوام متساو.	KNOCK BACK (صدم)
مرحلة في عملية تحضير الخبز يتم فيها السماح للعجين بأن يرتفع.	PROOFING (تثبيت)
التحكم في درجة حرارة الشوكولاته بدقة للحصول على قوام نهائي سلس ولامع.	TEMPERING (تليين)
جزء من برنامج الطهي حيث يعمل جهاز Cooking Chef على الخلط بدون حرارة.	PROCESSING (معالجة)

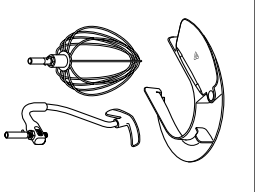
البرامج

أفكار وصفات التحضير	المرحلة ٦ (P6)	المرحلة ٥ (P5)	المرحلة ٤ (P4)	المرحلة ٣ (P3)	المرحلة ٢ (P2)	المرحلة ١ (P1)	إضافة المكونات (عالية) High
الخبزات		غير مستخدم	غير مستخدم	غير مستخدم	غير مستخدم	تدفئة مستمرة درجة ٨٠	إضافة المكونات درجة ٩٥ ← ٩٨ درجة ٩٠ ← ٩٨
		غير مستخدم	غير مستخدم	غير مستخدم	غير مستخدم	Auto (تلقائية) X	٠ ← ٩ ١٥٠٠ ← ١٠٠٠ وات W
الخبزات		غير مستخدم	غير مستخدم	غير مستخدم	غير مستخدم	تدفئة مستمرة درجة ٨٠	إضافة المكونات (منخفضة) Low
		غير مستخدم	غير مستخدم	غير مستخدم	غير مستخدم	Auto (تلقائية) X	٠ ← ٩ ١٥٠٠ ← ١٠٠٠ وات W
						٢٠ دقيقة	٢٠ دقيقة ← ٢ ساعة ✓
						٢٠ دقيقة	٢٠ دقيقة ← ٢ ساعة ✓
						٢٠ دقيقة	٢٠ دقيقة ← ٢ ساعة ✓

ملاحظة:

- تعمل وظيفة الطهي البطيء على درجة حرارة ٩٥ درجة مئوية وهي مثالية لطهي اللحوم قاسية القوام.
- تعمل وظيفة الطهي البطيء المنخفضة على درجة حرارة ٨٥ درجة مئوية وهي مثالية لطهي الدواجن والخضروات.
- بعض من البرامج تحتوي على مراحل تسخين والتي تنتج للمكونات الوصول إلى درجة حرارة معينة قبل بدء مرحلة البرنامج.

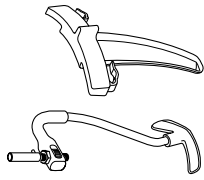
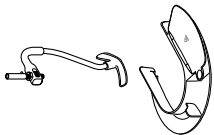
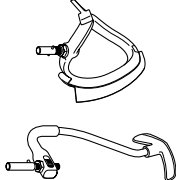
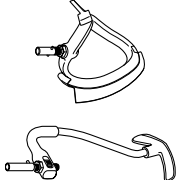
البرامج

أفكار وصفات التحضير	الأدوات المستخدمة	المرحلة ٦ (P6)	المرحلة ٥ (P5)	المرحلة ٤ (P4)	المرحلة ٣ (P3)	المرحلة ٢ (P2)	المرحلة ١ (P1)	SWEET (الطوى)
السابايون		غير مستخدم	غير مستخدم	غير مستخدم	غير مستخدم	تدفئة مستمرة ٥٠ درجة	إضافة البيض والسكر والسوائل ٧٤ درجة ← OFF (إيقاف)	(السابايون) Sabayon °C
		غير مستخدم	غير مستخدم	غير مستخدم	غير مستخدم	HSHT Max	← HSHT Max HSHT Max	↻
		غير مستخدم	غير مستخدم	غير مستخدم	غير مستخدم	٥٠٠ وات	← Auto (تلقائية) ٧٥٠ وات	W
		غير مستخدم	غير مستخدم	غير مستخدم	غير مستخدم	X	✓	مرحلة التسخين
أساس عجينة الموس		غير مستخدم	غير مستخدم	غير مستخدم	غير مستخدم	تدفئة مستمرة ١٥ دقيقة	٢ دقيقة ← -	عجينة الموس) Pate de Bombe °C
		غير مستخدم	غير مستخدم	غير مستخدم	غير مستخدم	OFF (إيقاف)	إضافة البيض والسكر ١١٨ ← (إيقاف) OFF ١٠ دقائق	↻
		غير مستخدم	غير مستخدم	غير مستخدم	غير مستخدم	HSHT ٦	HSHT ٦	W
		غير مستخدم	غير مستخدم	غير مستخدم	غير مستخدم	X	✓	مرحلة التسخين
القيشار		غير مستخدم	غير مستخدم	غير مستخدم	غير مستخدم	إضافة حبات القيشار ١٨٠ درجة	إضافة الزيت 180°C	القيشار) Popcorn °C
		غير مستخدم	غير مستخدم	غير مستخدم	غير مستخدم	-	-	↻
		غير مستخدم	غير مستخدم	غير مستخدم	غير مستخدم	Auto (تلقائية)	Auto (تلقائية)	W
		غير مستخدم	غير مستخدم	غير مستخدم	غير مستخدم	X	✓	مرحلة التسخين
		١٠ دقائق				١٠ دقائق	X	زمن الطهي

ملاحظة:

- بعض من مراحل البرنامج تحتوي على مراحل تسخين والتي تتبع للمكونات الوصول إلى درجة حرارة معينة قبل بدء مرحلة البرنامج.
- HSHT (كما هو موضح على الشاشة) = وضع السرعة العالية ودرجة الحرارة العالية

البرامج

أفكار وصفات التحضير	الأدوات المستخدمة	المرحلة ٦ (P6)	المرحلة ٥ (P5)	المرحلة ٤ (P4)	المرحلة ٣ (P3)	المرحلة ٢ (P2)	المرحلة ١ (P1)	(الفاكهة المحفوظة) Fruit compote
كبتوت الفراولة		غير مستخدم	غير مستخدم	غير مستخدم	غير مستخدم	غير مستخدم	إضافة الفاكهة والبكتين والسكر OFF ← درجة ١٠٤ ٢ ← ٠ Auto ← وات ٧٥٠ (تلقائية) ✓ مرحلة التسخين زمن الطهي ١٠ ← ١٠	(الفاكهة المحفوظة) Fruit compote °C W مرحلة التسخين زمن الطهي
عجينة الفاكهة الهشة		غير مستخدم	غير مستخدم	غير مستخدم	إضافة حمض الليمون HSHT ٢ Auto (تلقائية) ✓ ٢ دقيقة	إضافة السكر والجاوكون HSHT ٣ Auto (تلقائية) ✓ ١٠ دقائق	إضافة السكر والبكتين HSHT ٢ Auto (تلقائية) ✓ ٢ دقيقة	عجينة الفاكهة الهشة) Pate de Fruit °C W مرحلة التسخين زمن الطهي
حشوة البروفيتول		غير مستخدم	غير مستخدم	غير مستخدم	تدفئة مستمرة ٧٠ درجة ٠ Auto (تلقائية) X ٣٠ دقيقة	إضافة السوائل ١٠١ درجة ← ٧٠ درجة ٠ ← ٠ Auto ← Auto ✓ ٥ دقائق ←	إضافة البيض والسكر OFF (إيقاف) السرعة ٢ - X ٢ دقيقة	العجائن الكريمة) Crème Pâtisserie °C W مرحلة التسخين زمن الطهي
الكريمة الإنجليزية		غير مستخدم	غير مستخدم	غير مستخدم	تدفئة مستمرة ٨٠ درجة 0 Auto (تلقائية) X ٣٠ دقيقة	إضافة السوائل ٨٧ درجة 0 Auto (تلقائية) ✓ ١٢ دقيقة	إضافة البيض والسكر OFF (إيقاف) السرعة ٢ OFF (إيقاف) X ٣ دقائق	الكريمة الإنجليزية) Crème Anglaise °C W مرحلة التسخين زمن الطهي

ملاحظة:
• بعض من مراحل البرامج تحتوي على مراحل تسخين والتي تتبع للمكونات الوصول إلى درجة حرارة معينة قبل بدء مرحلة البرنامج.
• HSHT (كما هو موضح على الشاشة) = وضع السرعة العالية ودرجة الحرارة العالية

البرامج

أفكار وصفات التحضير	الأدوات المستخدمة	المرحلة ٦ (P6)	المرحلة ٥ (P5)	المرحلة ٤ (P4)	المرحلة ٣ (P3)	المرحلة ٢ (P2)	المرحلة ١ (P1)	SWEET (الحلوى)	
								المعجنات الغنية (Enriched doughs)	إضافة السوائل والذئيق والخميرة
خبز بريوش		غير مستخدم	الصدم OFF (إيقاف) 0	التفتيت ٢٨ درجة OFF (إيقاف) ٢٥٠ وات	إضافة الزبد OFF (إيقاف) السرعة ١ OFF (إيقاف)	- OFF (إيقاف) Speed 1 OFF (إيقاف)	إضافة السوائل والذئيق والخميرة OFF (إيقاف) 0 OFF (إيقاف)	°C W	مرحلة التسخين
									زمن الخلط
مخبوزات الأسكا، طبقة حلوى الكعكة		غير مستخدم	غير مستخدم	غير مستخدم	غير مستخدم	تدفئة مستمرة HSHT ٦ ٧٥٠ وات	إضافة بياض البيض والسكر والماء OFF (إيقاف) HSHT ٦ ١٧٨ درجة ← OFF (إيقاف)	°C W	مرحلة التسخين
									زمن الطهي
طبقة حلوى الكعكة من كريمة الزبد		غير مستخدم	غير مستخدم	غير مستخدم	غير مستخدم	تدفئة مستمرة OFF (إيقاف) السرعة ٦ ٧٥٠ وات	إضافة بياض البيض والسكر والماء OFF (إيقاف) HSHT ٦ ٧٥٠ وات ← Auto (تلقائية)	°C W	مرحلة التسخين
									زمن الطهي

ملاحظة:

- بعض من مراحل البرامج تحتوي على مراحل تسخين والتي تتبع للمكونات الوصول إلى درجة حرارة معينة قبل بدء مرحلة البرنامج.
- HSHT (كما هو موضح على الشاشة) = وضع السرعة العالية ودرجة الحرارة العالية

البرامج

أفكار وصفات التحضير	الأدوات المستخدمة	المرحلة ٦ (P6)	المرحلة ٥ (P5)	المرحلة ٤ (P4)	المرحلة ٣ (P3)	المرحلة ٢ (P2)	المرحلة ١ (P1)	SWEET (الحلوى)
طبقة التروفيل، تزيين الكعكة		غير مستخدم	غير مستخدم	غير مستخدم	تدفئة مستمرة ٣١ درجة	إضافة الشوكولاته ٢ ٤٢ درجة ← ٣١ درجة ٤ ← ٤ ← ٤	إضافة الشوكولاته ١ ٤٢ درجة ← ٤٢ درجة ٩ ← ٤	شوكولاته الحليب/البيضاء White/milk chocolate ٥٠ W مرحلة التسخين زمن الطهي
		غير مستخدم	غير مستخدم	غير مستخدم	تدفئة مستمرة ٣١ درجة	إضافة الشوكولاته ٢ ٤٧ درجة ← (إيقاف) ٣١ درجة ← ٤ ← ٤ ← ٤	إضافة الشوكولاته ١ ٤٧ درجة ← ٤٧ درجة ٩ ← ٤	شوكولاته سادة Plain chocolate ٥٠ W مرحلة التسخين زمن الطهي
البروفيتول الأكبر		غير مستخدم	غير مستخدم	غير مستخدم	التثبيت (إيقاف) OFF ٢٨ درجة	إضافة الدقيق (إيقاف) OFF السرعة ٤	إضافة الماء والزبد ٩٠ درجة	عجينة الشو Choux pastry ٥٠ W مرحلة التسخين زمن الطهي
		غير مستخدم	غير مستخدم	غير مستخدم	التثبيت (إيقاف) OFF ٢٨ درجة	Auto (تلقائية) X	Auto (تلقائية) X	Standard eoughs (عجائن عادية) ٥٠ W مرحلة التسخين زمن الطهي
الحيز الأبيض		غير مستخدم	غير مستخدم	غير مستخدم	التثبيت (إيقاف) OFF ٢٨ درجة	إضافة السوائل والدقيق والخميرة ١ دقيقة	إضافة السوائل والدقيق والخميرة ١ دقيقة	عجائن عادية Standard eoughs ٥٠ W مرحلة التسخين زمن الطهي
		غير مستخدم	غير مستخدم	غير مستخدم	التثبيت (إيقاف) OFF ٢٨ درجة	Speed 1 (إيقاف) OFF ٢٥٠ وات	0 (إيقاف) OFF X	١٠ دقائق ← ٢٠ دقيقة ١٠ دقائق

ملاحظة:
 • بعض من مراحل البرنامج تحتوي على مراحل تسخين والتي تنتج للمكونات الوصول إلى درجة حرارة معينة قبل بدء مرحلة البرنامج.
 • HSHT (كما هو موضح على الشاشة) = وضع السرعة العالية ودرجة الحرارة العالية

البرامج

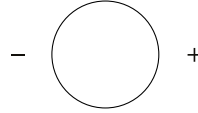
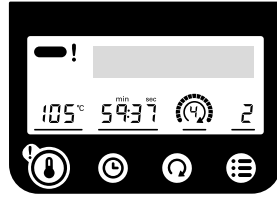
أفكار وصفات التخضير	الأدوات المستخدمة	المرحلة ٦ (P6)	المرحلة ٥ (P5)	المرحلة ٤ (P4)	المرحلة ٣ (P3)	المرحلة ٢ (P2)	المرحلة ١ (P1)	(المشبهيات) SAVOURY
صلصة البشاميل، صلصة الجبن، صلصة البقدونس		غير مستخدم	غير مستخدم	تدفئة مستمرة	إضافة السوائل	إضافة الدقيق	إضافة الزيت	إضافة الزيت (المشبهيات) Béchamel
				٨٥ درجة	٩٩ درجة	١١٠ درجة	٨٠ درجة	°C
				HSHT ٦	HSHT ٦	HSHT ٦	-	↻
				٥٠٠ وات	٧٥٠ وات	٧٥٠ وات	٧٥٠ وات	W
صلصة طماطم الباستا		غير مستخدم	غير مستخدم	تدفئة مستمرة	إضافة السوائل	إضافة الخضراوات	إضافة الزيت	مرحلة التسخين
				٣٠ دقيقة	١٥ دقيقة	١ دقيقة	١ دقيقة	مرحلة الطهي
				X	✓	✓	✓	مرحلة التسخين
				٨٠ درجة	٩٨ درجة	١٢٠ درجة	١٢٠ درجة	°C
صلصة بربنيز، صلصة هولندية		غير مستخدم	غير مستخدم	تدفئة مستمرة	إضافة السوائل	إضافة صفار البيض والسوائل	إذابة الزيت وإزالتها	مرحلة الطهي
				٩	٢ < ٢	٣	-	↻
				(تلقائية) AUTO	١٥٠٠ وات	(تلقائية) AUTO	(تلقائية) AUTO	W
				X	✓	✓	✓	مرحلة التسخين
صلصة بربنيز، صلصة هولندية		غير مستخدم	غير مستخدم	٣٠ دقيقة	٤ دقائق < ١٥ دقيقة	١٠ دقائق	X	مرحلة الطهي
				تدفئة مستمرة	إضافة الزيت العذابة ببطء	إضافة صفار البيض والسوائل	إذابة الزيت وإزالتها	مرحلة التسخين
				X	٧٢ درجة	٧٢ درجة	٦٠ درجة	°C
				٧٥٠ وات	٧٥٠ وات	٧٥٠ وات	٧٥٠ وات	↻
صلصة بربنيز، صلصة هولندية		غير مستخدم	غير مستخدم	٢ دقيقة	٢ دقيقة	٤ دقائق	١٠ دقائق	مرحلة التسخين
				X	✓	✓	✓	مرحلة الطهي
				١٠ دقائق	٤ دقائق	٤ دقائق	١٠ دقائق	W
				١٠ دقائق	٢ دقائق	٤ دقائق	١٠ دقائق	مرحلة التسخين

ملاحظة:
بعض من مراحل البرامج تحتوي على مراحل تسخين والتي تتبع المكونات الوصول إلى درجة حرارة معينة قبل بدء مرحلة البرنامج.
• HSHT (كما هو موضح على الشاشة) = وضع السرعة العالية ودرجة الحرارة العالية

إعدادات درجة الحرارة	
درجة الحرارة	الاستخدامات
٥٠ درجة مئوية	تليين الشوكولاته
٧٢ إلى ٨٢ درجة مئوية	سلق الفاكهة
٩٨ إلى ٩٩ درجة مئوية	الغلي ببطء
١٠٠ درجة مئوية	الغلي، التبخير
١٢٠ إلى ١٤٠ درجة مئوية	تحضير الخضار السوتيه
١٨٠ درجة مئوية	تحمير اللحم

إعدادات القدرة		
إعدادات القدرة	وات	الاستخدامات
A	Auto (تلقائية)	تتغير قدرة الإدخال لتتماشى على نحو مثالي مع إعداد درجة الحرارة
١ - ٢	١٥٠٠ إلى ١٢٠٠ وات	تحمير اللحم، تحضير الخضار السوتيه، غلي الماء
٣ - ٥	١٠٠٠ إلى ٥٠٠ وات	إذابة الزبد، الصلصات ذات أساس الحليب، الغلي ببطء، الخفق على الساخن
٦ - ٧	٣٧٥ إلى ٢٥٠ وات	تشبيث العجائن

الوضع اليدوي



- اضغطي على الإعداد المطلوب تغييره واستخدمي قرص العرض لضبط الإعداد.
- اضغطي على قرص العرض للتأكيد.
- ملاحظة:
- عند تحديد أحد الإعدادات، ستتم إضاءة الشريط الموجود أسفل شاشة العرض المقابلة.
- تنتهي مهلة الإعداد بعد ٤ ثوانٍ في حالة عدم اتخاذ أي إجراء.

<p>يمكن تعيين درجة الحرارة من ٢٠ إلى ١٨٠ درجة مئوية بخطوة زيادة مقدارها ١ درجة مئوية. أو بطريقة أخرى، يمكن استخدام الوحدة بدون تعيين درجة حرارة من خلال استخدام الإعداد «OFF» (إيقاف). ملاحظة: لن تصل درجة حرارة جهاز Cooking Chef لدرجة أقل من الحرارة المحيطة.</p> <p>وضع السرعة العالية ودرجة الحرارة العالية (HSHT)</p> <p>للخلط على السرعة العالية على درجة حرارة أعلى من ٦٠ درجة مئوية:</p> <ul style="list-style-type: none"> • اضغطي مع الاستمرار لمدة ٣ ثوانٍ. يضيء الرمز ! على شاشة العرض ويتم عرض رسالة «CAUTION HSHT MODE» (تنبيه وضع السرعة العالية ودرجة الحرارة العالية). كما تصدر نغمة صوتية قصيرة عن الخلاط كل ٣٠ ثانية. • لفي مفتاح التحكم في السرعات إلى موضع السرعة المطلوبة، ترتفع سرعة تشغيل الخلاط ببطء حتى تصل إلى السرعة المحددة. • يمكنك خفض السرعة بالطريقة العادية. • لإنهاء هذا الوضع، اضغطي مع الاستمرار على زر درجة الحرارة لمدة ٥ ثوانٍ أو أعيدي مفتاح التحكم في السرعات إلى موضع الإيقاف «O». <p>يجب استخدام هذه الوظيفة فقط مع خفاقة البيض و/أو أداة التقليب. ينبغي عدم تجاوز سعة الطهي القصوى وهي ٣ لتر كما ينبغي التأكد من تركيب واقي الرذاذ. يجب عدم ترك الجهاز مهملاً دون ملاحظة.</p>	
<p>يمكن استخدام المؤقت في وضع الطهي. في حالة عدم تحديد وقت لمؤقت العد التنازلي، عندئذ سيعد المؤقت تصاعدياً بفاصل زمني ١ ثانية تلقائياً أثناء تشغيل الجهاز. الحد الأقصى لزم تشغيل المؤقت هو ٨ ساعات.</p>	
<p>توجد ١٠ إعدادات لفترات التقليب. هذه الإعدادات مناسبة جداً عند استخدام الخلاط في وضع الطهي. يرجى الملاحظة، أنه لاستخدام إعدادات التقليب يجب تركيب جميع أغطية المخارج.</p>	
<p>يمكن ضبط إعدادات القدرة من خلال زر القائمة. القدرة الافتراضية هي Auto. يمكن ضبط القدرة من ٢٥٠ وات إلى ١٥٠٠ وات.</p> <ul style="list-style-type: none"> • اختاري إعداد قدرة منخفض لتسخين المكونات على نحو هادئ. • اختاري إعداد قدرة مرتفع لتسخين المكونات على نحو سريع. 	

إعدادات فترات تأخير التقليب		
إعدادات التقليب مثالية للاستخدام مع أداة التقليب.		
الاستخدامات	فترة التأخير	السرعة
التقليب المستمر مع الصلصات والريستوتو.	بدون تأخير (تقليب مستمر)	
تحمير اللحم وتحضير الخضار السوتيه.	٥ ثوانٍ	
	١٠ ثوانٍ	
	٢٠ ثانية	
	٣٠ ثانية	
تقليب المقلبات واليخنات والمرق وما شابه.	٤٠ ثانية	
	٥٠ ثانية	
	١ دقيقة	
	٢ دقيقة	
	٥ دقائق	

تفسير رموز شاشة العرض

	
<p>مؤشر تحذير السخونة أقل من ٤٠ درجة مئوية - لا يوجد شريط أحمر من ٤٠ إلى ٦٠ درجة مئوية - شريط أحمر وامض أعلى من ٦٠ درجة مئوية - شريط أحمر ممتلئ</p>	
<p>يعرض عند تشغيل الخلاط في وضع السرعة العالية درجة الحرارة العالية (HSHT).</p>	
<p>يعرض المرحلة الحالية من برنامج الطهي عند استخدام البرامج سابقة الإعداد.</p>	
<p>تعرض شاشة العرض النصي معلومات الحالة ومعلومات البرنامج المحدد ورسائل الخطأ.</p>	
<p>يعرض درجة الحرارة المحددة. يمكن تعيين درجة الحرارة من الوضع إيقاف «OFF» أو بين ٢٠ إلى ١٨٠ درجة مئوية.</p>	
<p>يعرض الوقت المحدد بالساعات والدقائق والثواني. يمكن تعيين الوقت من ٥ ثوان ← إلى ٨ ساعات ويبدأ العد التنازلي بمجرد اختيار درجة الحرارة.</p>	
<p>يعرض إعداد التقليل المحدد، بنطاق من ٠ ← إلى ٩.</p> <ul style="list-style-type: none"> • تتم إضاءة الشروط الخارجية تبعاً للإشارة إلى طول الفترة الزمنية قبل إجراء التقليل التالي. • يبدأ سهم التقليل الداخلي في الوميض ٣ ثوان قبل إجراء التقليل التالي. • في بداية عملية التقليل، قد يكون هناك ارتفاع ملحوظ في السرعة من أجل فصل أجزاء الطعام. 	
<p>يعرض إعداد القدرة المحدد. يتراوح نطاق القدرة من Auto و ١ ← إلى ٧.</p>	

- **بعد الطهي**
توخي الحذر عن التعامل مع أي جزء من الجهاز أو لمسه أثناء استخدام الخلاط الطاهي في وضع الطهي أو فور الانتهاء من الطهي، وبصفة خاصة السلطانية وواقى الرذاذ والأدوات حيث تظل هذه الأجزاء ساخنة لفترة طويلة بعد إيقاف تشغيل الجهاز. استخدم المقبضين لإزالة وحمل السلطانية. استخدم قفازي الفرن عند التعامل مع السلطانية الساخنة وأدوات الخلط الساخن.
- يظل الجانب السفلي للسلطانية ساخناً لفترة طويلة بعد إيقاف التسخين. توخي الحذر عند التعامل مع السلطانية واستخدم مفرش حماية سطح العمل المزود عند وضع السلطانية على أسطح حساسة للحرارة.

تلميحات

- بعض الوصفات، وعلى وجه الخصوص الوصفات التي تحتوي على محتوى مائي عالي لن تكون قادرة على الوصول إلى درجة حرارة طهي أعلى من ١٠٠ درجة مئوية (حيث أن هذه الدرجة هي درجة غليان الماء).
- عند إضافة مكونات إلى السلطانية أثناء الطهي، قللي سرعة التشغيل وأضيفي المكونات ببطء وبشكل متساو.
- لتسخين الصلصات سريعاً استخدم إعداد تقليب مستمر.
- في حالة استخدام واقى الرذاذ أثناء الطهي، أزيله دائماً قبل رفع رأس الخلاط الطاهي. توخي الحذر من التكثف المتكون على واقى الرذاذ والواقى الحراري.
- عند رفع رأس الخلاط الطاهي، ارفعيها ببطء وذلك للسماح لأي سائل على الجانب السفلي للواقى الحراري بالتدفق إلى السلطانية.
- تتوافر عشرة وظائف وتلقب والتي تتيح لك اختيار القدر المناسب من التقليل لكل وصفة تحضير على حدة. بعض الوصفات تتطلب تقليلاً مستمراً لمنع التصاق المكونات في قاع السلطانية، في حين أن وصفات أخرى تستفيد من التقليل المتقطع للحفاظ على قوام الطعام.

- إذا تجاوزت درجة حرارة السلطانية ٦٠ درجة مئوية، لأسباب تتعلق بالسلامة سيتم خفض سرعة الجهاز وتقييدها تلقائياً حتى في حالة تحديد سرعة تشغيل عالية. لن تزيد السرعة تلقائياً عند انخفاض درجة حرارة السلطانية عن ٦٠ درجة مئوية. يجب إعادة مفتاح التحكم في السرعات إلى وضع إيقاف التشغيل «O» ثم إعادة تحديد السرعة المطلوبة.
- راجعي قسم «الوضع اليدوي» لمعرفة مزيد من التفاصيل حول استخدام وضع السرعة العالية درجة الحرارة العالية (HSHT).
- بمجرد انتهاء برنامج طهي، تصدر الوحدة نغمة صوتية قصيرة ٣ مرات.
- ملاحظة: في حالة عدم إعداد وقت، ستتوقف وظيفتي التسخين والتقليب تلقائياً بمجرد وصول المؤقت إلى ٨ ساعات.
- لإيقاف عملية الخلط أو إيقافها بشكل مؤقت، أعيدي مفتاح التحكم في السرعات إلى وضع إيقاف التشغيل "O". لتابعة العملية، حددي سرعة للتشغيل.

هام
• تستمر عملية التسخين في حالة إيقاف عملية الخلط أو توقفها بشكل مؤقت.

- لإيقاف عملية التسخين، غيري إعداد درجة الحرارة إلى الإعداد «OFF» (إيقاف). أو بطريقة أخرى، اضعي زر وضع الاستعداد.
- **هام** - في حالة رفع رأس الخلاط في أي وقت أثناء التشغيل، تتوقف عملية التسخين مؤقتاً. تتوقف أداة السلطانية ولن تتابع العمل مرة أخرى عند خفض رأس الخلاط، لإعادة تشغيل الخلاط، لفي مفتاح التحكم في السرعات إلى وضع إيقاف التشغيل «O» ثم أعيدي تحديد سرعة تشغيل.

استخدام جهاز Cooking Chef كخلاط

جمعي أجزاء الخلاط كما تم تناوله بالشرح في قسم «استخدام جهاز Cooking Chef» سابقاً. لفي مفتاح التحكم في السرعات إلى الإعداد المطلوب.

يمكنك تغيير السرعة في أي وقت أثناء تشغيل الخلاط. أوقفي تشغيل الخلاط عن طريق لف مفتاح التحكم في السرعات إلى موضع إيقاف التشغيل «O». استخدم مفتاح وضع التشغيل النبضي (P) للتشغيل لفترات قصيرة على السرعة القصوى.

تلميحات عامة

- أوقفي الخلط واكشطى جوانب السلطانية بانتظام من أعلى لأسفل باستخدام ملعقة التقليل.
- للحصول على أفضل النتائج اخفقي البيض الموجود في درجة حرارة الغرفة.
- قبل خفق بياض البيض، تأكدي من عدم وجود زيت أو صفار بيض على مضرب البيض أو السلطانية.
- استخدم مكونات باردة للعجين ما لم تذكر الوصفة خلاف ذلك.

نقاط هامة لتحضير الخبز

هام

- يحذر تجاوز السعات القصوى المحددة - سوف تتسبب في حمل زائد على الجهاز.
- إذا سمعت صوت الجهاز متقللاً، فأوقفي التشغيل وأزيلي نصف العجين ثم تعاملي مع كل نصف على منفرداً.
- للحصول على أفضل نتائج لخلط المكونات أضيفي السوائل أولاً في السلطانية.

وصفة التحضير

تتبيلة الفلفل

- ٢٠٠ غرام عسل نحل صافى وبارد (موضوع داخل الثلاجة أثناء الليل)
- ١ ثمرة فلفل (كاملة)
- ٢٠ غرام (١ ملعقة صغيرة) زبدة فول سوداني خشنة

توابل

- ١ ضعي كل المكونات في القطاعة/المطحنة الصغيرة.
- ٢ ركبى الملحق في جهاز المطبخ المتكامل واسمحي للمكونات بملء الفراغات حول سكين التقطيع.
- ٣ شغلي الجهاز على وضع التشغيل النبضي لمدة ١٠ ثوان.
- ٤ استخدم التتبيلة حسب الحاجة.

أدوات السلطانية وبعض من استخداماتها

مضرب العجين K

لعمل الكيك والبسكويت والمعجنات والغطاء السكري للحلوى والحشوات وجاتوه الإكلير والبطاطس المهروسة.

مضرب البيض

لخفق البيض والقشدة والسوفليه. لا تستخدم خفاقة البيض مع الخلطات السميكة (مثل خلط السمن مع السكر) - فقد يتسبب ذلك في تلفها. مناسبة للدمج مع أداة التقليب عند الخفق على درجات حرارة، على سبيل المثال في حالة الحلويات الإيطالية والسويسرية.

خطاف العجين

يستخدم مع خلطات الخميرة فقط

مضرب الخلطات الكريمة الساخنة

مناسب لاستخدامات دمج الزبد مع السكر وتحضير عجين الشو وعصيدة طحين الذرة. مثالي لكشط الخلطات سواء الباردة أو الساخنة عن جوانب السلطانية أثناء عملية الخلط.

أداة التقليب

مناسبة للاستخدام خلال عملية الطهي للمحافظة على قوام الأطعمة مثل الدجاج والسلم والخضراوات والفاكهة. مثالية لتحمير اللحوم. مناسبة للاستخدام أيضاً في تحضير الريسوتو والصلصات وإذابة الشوكولاته.

استخدام جهاز Cooking Chef

هام

- تأكد من نظافة منطقة الحث ومستشعرات درجة الحرارة والسطح الخارجي لقاعدة السلا- طانية. يؤثر الفشل في القيام بهذا الإجراء مستشعر درجة الحرارة مما أدى إلى ضعف أداء الطهي.
- تأكد من تركيب جميع أغطية المخارج بما في ذلك الواقي الحراري. في حالة عدم تركيبها بشكل صحيح لن يتم تشغيل وظيفة التسخين.
- استخدمي دائماً قفازي الفرن لإزالة السلطانية والأداة المستخدمة بعد الطهي.

- وصلي الجهاز بمصدر التيار الكهربائي. عندئذ تضيء شاشة العرض.
- لفي رافعة رأس الخلاط في اتجاه عقارب الساعة ① وارفعي رأس الخلاط حتى تستقر في موضع التثبيت.
- ادفعي الواقي الحراري ② أعلى الجانب السفلي من رأس الخلاط ② حتى يتم تركيبه بالكامل. يحذر استخدام الواقي الحراري بدون تركيب سدادة الإحكام المطاطية ② بطريقة صحيحة.
- في حالة استخدام جهاز Cooking Chef بدون حرارة، فلا حاجة لتركيب الواقي الحراري ما لم يستخدم واقي الرذاذ. راجعي قسم "تركيب واستخدام مجموعة واقي الرذاذ".
- ركبي السلطانية على القاعدة - اضغطي لأسفل ولفي في اتجاه عقارب الساعة ③.

حددي أي من الخيارات التالية:

الطهي اليدوي

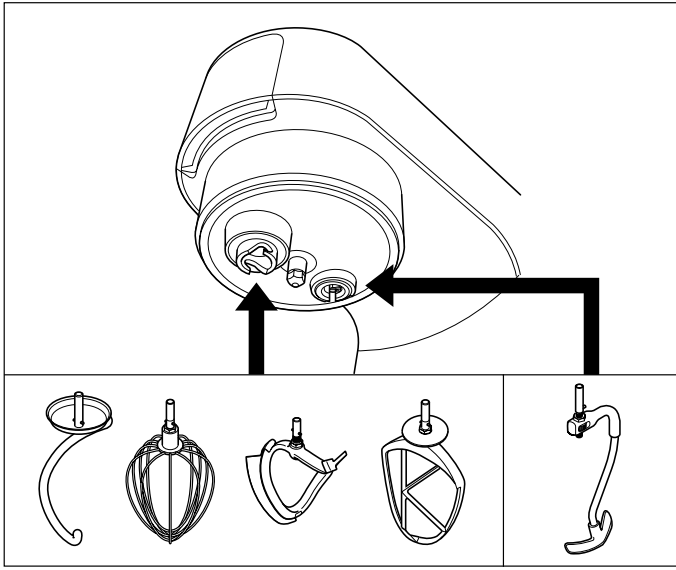
راجعى قسم الوضع اليدوي.

البرامج سابقة الإعداد:

راجعى قسم «استخدام البرامج سابقة الإعداد» للحصول على مزيد من التفاصيل حول معلومات الاستخدام.

راجعى دليل البدء السريع للحصول على مزيد من التفاصيل حول أفكار وصفات التحضير.

- ركبي الأداة المطلوبة في مقبض أداة السلطانية ③ أو مقبض أداة التقليب ④ في حالة استخدام أداة التقليب، يتم إدخال السن في التجويف ثم لف الأداة للتعشيق في موضع التثبيت ④.



أداة التقليب - عند استخدام أداة التقليب، يمكن أيضاً استخدام مشبك التقليب المساعد لمساعدتك في عملية التقليب، راجعي قسم «تركيب واستخدام مشبك التقليب المساعد». يمكن استخدام أداة التقليب أيضاً مع مضرب البيض، على سبيل المثال في تحضير المرغ. لا تستخدمى أداة التقليب مع خطاف العجين.

ملاحظة: إذا كان مضرب العجين K أو مضرب الخلطات الكريمة لا يمكنهما خلط المكونات الموجودة في قاعدة السلطانية، في هذه الحالة راجعي قسم "ضبط الأداة".

- لإزالة أداة، اعكسي الخطوة ٦ الموضحة أعلاه. (استخدمي دائماً قفازي الفرن لإزالة الأداة المستخدمة بعد الطهي).

٧ لخفض رأس الخلاط، ارفعيها قليلاً ولفي رافعة رأس الخلاط في اتجاه عقارب الساعة.

ثم اخفضيها إلى موضع التثبيت.

٨ أضيفي المكونات المراد طهيها/خلطها.

٩ لفي مفتاح التحكم في السرعات إلى الإعداد المطلوب. لفي مفتاح التحكم في السرعات إلى الموضع (R) لاستخدام إعدادات التقليب.

استكشاف جهاز Cooking Chef من Kenwood

الدليل

العلامات الظاهرة على شاشة العرض

- 31 تحذير درجة حرارة عالية
- 32 مرحلة البرنامج
- 33 اختيار درجة الحرارة
- 34 تحذير درجة حرارة عالية وسرعة عالية
- 35 شاشة عرض نصي
- 36 اختيار الوقت
- 37 اختيار تأخير التقليب
- 38 اختيار القدرة


لوحة العرض



- 39 زر درجة الحرارة
- 40 زر الوقت
- 41 زر إعداد التقليب
- 42 زر القائمة

مكشطة العجين

ملاحظة: ملحقات مخرج السرعة المنخفضة

مخرج السرعة المنخفضة في موديل جهاز المطبخ المتكامل لديك يتميز بنظام Twist Connection System. وبالتالي فهو مصمم للعمل مع ملحقات نظام Twist Connection System.

عند شرائك ملحقات للعمل مع مخرج السرعة المنخفضة، عليك أولاً التأكد من توافق الملحقات مع موديل جهاز المطبخ المتكامل لديك. يمكن تمييز كل ملحقات نظام Twist Connection System من خلال كود المنتج والذي يبدأ على النحو التالي (KAX) وأيضاً عن طريق شعار Twist  الموضح على العبوة.

إذا كان لديك ملحقات تعمل على نظام Bar Connection System ، ففي هذه الحالة ستحتاجين إلى استخدام منظم KAT002ME حتى يمكنك توصيل هذه الملحقات مع نظام Twist Connection System  الموجود في موديل جهاز المطبخ المتكامل لديك.

لمزيد من المعلومات، زوري الموقع

www.kenwoodworld.com/twist

مخارج الملحقات

- 1 مخرج السرعة العالية (HSO)
- 2 مخرج السرعة المنخفضة (SSO)
- 3 مقبس أداة السلطانية
- 4 مقبس أداة التقليب

الخلاط

- 5 غطاء مخرج السرعة العالية
- 6 رأس الخلاط
- 7 غطاء مخرج السرعة المنخفضة
- 8 سلطانية جهاز شيف الطهي
- 9 رافعة رأس الخلاط الطاهي الطاهي
- 10 مفتاح التحكم في السرعات
- 11 زر وضع الاستعداد
- 12 قرص العرض/زر الإدخال
- 13 شاشة العرض
- 14 فتحة التصريف
- 15 قاعدة السلطانية/منطقة الحث
- 16 فتحات التهوية
- 17 مستشعرات درجة الحرارة
- 18 مضرب العجين K
- 19 مضرب الخلطات الكريمة الساخنة
- 20 خفاقة البيض
- 21 خطاف العجين
- 22 أداة التقليب
- 23 مشبك التقليب المساعد
- 24 معلقة التقليب لدرجات الحرارة المرتفعة
- 25 وافي حراري
- 26 سداة إحكام مطاطية (قابلة للفك والتركيب)
- 27 مانع الرذاذ
- 28 غطاء أنبوب إدخال المكونات
- 29 مفرش حماية سطح العمل
- 30 مفتاح ربط

اختيار اللغة

في المرة الأولى لتشغيل جهاز Cooking Chef، يكون الإعداد الافتراضي للغة شاشة العرض هو اللغة الإنجليزية «English».	
 	١ تغيير اللغة، اضغط على زر القائمة.
 	٢ استخدم قرص العرض/زر الإدخال لتحديد قائمة "الإعدادات" (SETTINGS) ثم اضغط على قرص العرض/زر الإدخال للتأكيد.
 	٣ استخدم قرص العرض/زر الإدخال لتحديد قائمة "اللغات" (LANGUAGES) ثم اضغط على قرص العرض/زر الإدخال للتأكيد.
 	٤ استخدم قرص العرض/زر الإدخال لتحديد اللغة المطلوبة. بمجرد تحديد اللغة المطلوبة، اضغط على قرص العرض/زر الإدخال للتأكيد.
 	٥ تغيير اللغة مرة أخرى، كرري نفس الخطوات.

- للتشغيل الصحيح والأمن لسخان الحث تآكدي من نظافة وجفاف قاعدة السلطانية ومستشعرات درجة الحرارة قبل الطهي.
- كما هو الحال مع جميع أجهزة الطهي بالحث، لا تضعي بطاقات الائتمان أو الوسائط الممغنطة أو المعدات الإلكترونية الحساسة بالقرب من الجهاز أثناء استخدامه.
- لا تستخدم الجهاز للقلي الشديد للمكونات الغذائية.
- تآكدي دائماً طهي الأطعمة تماماً قبل تناولها.
- لا تتجاوزي سعة ٢٥٠ مل عند الطهي باستخدام الزيت.
- ينبغي تناول الأطعمة بعد فترة وجيزة من الطهي أو تركها لتبرد بسرعة ثم تجميدها في أسرع وقت ممكن.
- قد يؤدي سوء استخدام الجهاز إلى حدوث إصابات.
- يستخدم سلك الإمداد بالكهرباء لتقليل المخاطر الناجمة عن التشابك والتعثر. يمكن استخدام أسلاك الإطالة في حالة توخي الحذر عند استخدامها. في حالة استخدام سلك إطالة: (١) يجب أن تتماشى فئة التصنيف الكهربائي لسلك الإطالة إلى حد تام مع فئة التصنيف الكهربائي للجهاز. (٢) يجب توخي الحذر عند استخدام سلك الإطالة ولفه أو ضبطه على نحو يحول دون تدليه عن سطح العمل أو المنضدة، مما يتسبب في سحبه عن طريق الأطفال دون قصد فينتج عن ذلك تعرّهم ووقوعهم. إذا كان الجهاز مزود بطرف أرضي، ففي هذه الحالة يجب أن يكون سلك الإطالة مكون من ٣ أطراف ومجهز بطرف أرضي. فئة التصنيف الكهربائي للجهاز مدرجة على الجانب السفلي للوحدة.
- يمكن استخدام الأجهزة من قبل أشخاص ذوي قدرات جسدية أو حسية أو عقلية منخفضة وممن هم دون خبرة أو معرفة باستخدام الأجهزة في حالة منحهم التعليمات الخاصة بالاستخدام أو الإشراف عليهم بحيث يمكنهم استخدامه بطريقة آمنة مع إدراك المخاطر التي تنطوي على استخدام الجهاز.
- يجب ملاحظة الأطفال للتأكد من عدم عبثهم بالجهاز.
- لا يجوز استخدام هذا الجهاز من قبل الأطفال. احتفظي بالجهاز والسلك الكهربائي بعيداً عن متناول الأطفال.
- استخدم الجهاز في الاستخدام المنزلي فقط. لا تتحمل Kenwood أية مسؤولية في حالة تعرض الجهاز للاستخدام غير الصحيح أو عدم الالتزام بهذه التعليمات.

قبل استخدام الجهاز للمرة الأولى

- اغسلي الأجزاء المسموح بغسلها: راجعي قسم «العناية والتنظيف».

قبل توصيل الجهاز بمصدر التيار الكهربائي

- تآكدي من تماثل مواصفات مصدر التيار الكهربائي لديك مع المواصفات الموضحة على الجانب السفلي للجهاز.
- تحذير: يجب توصيل هذا الجهاز بالأرضي.
- يتوافق هذا الجهاز مع تنظيمات الاتحاد الأوروبي 2004/1935 المتعلقة بالمواد والأجسام المتلامسة مع الأطعمة.

● اقرئي التعليمات التالية واحتفظي بها في المتناول للاستخدامات المستقبلية المرجعية.

- أزيلتي مكونات التغليف وأية ملصقات.
- في حالة تلف السلك الكهربائي، يجب استبداله لأسباب متعلقة بالسلامة من قبل KENWOOD أو مركز صيانة معتمد من قبل KENWOOD.

● ملاحظة هامة - بالنسبة لمستخدمي الأجهزة الطبية الإلكترونية المزروعة

- كما هو الحال مع كل منتجات التسخين بالحث، ينتج هذا الجهاز مجالات مغناطيسية قصيرة المدى. في حالة تواجد أي مستخدم للجهاز أو شخص على مقربة من الجهاز مع استخدام هذا المستخدم أو الشخص لجهاز تنظيم ضربات القلب أو غيرها من الأجهزة الطبية المزروعة النشطة، فيرجى استشارة الطبيب قبل استخدام هذا الجهاز وذلك بشأن احتمالية عدم التوافق لمنع حدوث أي مخاطر على الصحة.
- أوقف تشغيل الجهاز وافصله عن مصدر التيار الكهربائي قبل تركيب أو إزالة الأدوات/ الملحقات وفور الاستخدام وقبل التنظيف.
- أبعد أجزاء جسمك وشعرك والمجوهرات والملابس الفضفاضة بعيداً عن الأجزاء المتحركة والملحقات المركبة.
- يحذر إدخال الأصابع وغيرها من الأجسام داخل الآلية المفصليّة.
- يحذر ترك الجهاز مهملاً.
- يحذر استخدام الجهاز في حالة تلفه. في مثل هذه الحالة يجب فحص الجهاز أو إصلاحه: راجعي قسم "الصيانة ورعاية العملاء".
- يحذر استخدام ملحق غير معتمد أو أكثر من ملحق في المرة الواحدة.
- يحذر تجاوز السعات القصوى المحددة وفي حالة استخدام سخان الحث يتجاوز السعة القصوى المحددة للتعبئة وهي ٣ لترات ويشار إلى سعة التعبئة القصوى بعلامة داخل السلطانية.
- عند استخدام ملحق ما، اقرئي تعليمات الأمان والاستخدام الواردة معه.
- توخي الحذر عند حمل هذا الجهاز فهو ثقيل. تأكدي من قفل رأس الخلاط الطاهي الطاهي وتأمين السلطانية والأدوات والمخرج وسلك الكهرباء قبل حمل الجهاز.
- يحذر ترك سلك الكهرباء متديلاً في حالة وجود طفل فقد ينتزعه.
- يحذر تعرض وحدة الطاقة للموتورس أو سلك الكهرباء أو قابس التوصيل للماء.
- توخي الحذر عن التعامل مع أي جزء من الجهاز أو لمسه أثناء استخدام الجهاز في وضع الطهي أو فور الانتهاء من الطهي، وبصفة خاصة السلطانية وواقى الرذاذ والأدوات حيث تظل هذه الأجزاء ساخنة لفترة طويلة بعد إيقاف تشغيل الجهاز. استخدم المقبضين لإزالة وحمل السلطانية. استخدم قفازي الفرن عند التعامل مع السلطانية الساخنة وأدوات الخلط الساخن.
- توخي الحذر عند إزالة أدوات السلطانية بعد فترة استخدام مطولة حيث تكون درجة حرارتها مرتفعة.
- يظل الجانب السفلي للسلطانية ساخناً لفترة طويلة بعد إيقاف التسخين. توخي الحذر عند التعامل مع السلطانية واستخدمي مفرش حماية سطح العمل عند وضع السلطانية على أسطح حساسة للحرارة.
- توخي الحذر من البخار المتسرب عن سلطانية الخلاط الطاهي الطاهي وخاصة عند فتح الغطاء العلوي الموجود في واقى الرذاذ أو عند رفع رأس الخلاط الطاهي الطاهي.
- في حالة نقل مكونات الطعام الساخنة من الخلاط إلى المازج، اسمحي دائماً للمكونات بأن تبرد إلى درجة حرارة الغرفة قبل وضعها داخل المازج.
- استخدم فقط السلطانية والأدوات المزودة مع هذا الجهاز. يحذر استخدام السلطانية مع أي مصدر حراري آخر.
- يحذر تشغيل الجهاز في وضع الطهي عندما تكون السلطانية فارغة.
- يحذر إدخال أي جسم خلال فتحات التهوية.
- عند استخدام هذا الجهاز تأكدي دائماً من وضعه بعيداً عن حافة سطح العمل. تأكدي من ترك مسافة ١٠ سنتيمتر على الأقل بين الجهاز والحوائط وتأكدي من عدم انسداد فتحات التهوية. يحذر وضع الجهاز أسفل خزانة المطبخ المعلقة.

المحتويات

٧٢ - ٨٢	لسلامتك
٢٩	الدليل
٢٩	اختيار اللغة
٣٠	أدوات السلطانية وبعض من استخداماتها
٣٠ - ٣١	استخدام جهاز Cooking Chef
٣١	استخدام جهاز Cooking Chef كخلاط
٣٢	تفسير رموز شاشة العرض
٣٣ - ٣٤	الوضع اليدوي
٣٥	استخدام البرامج سابقة الإعداد
٣٥ - ٣٦	برامج المشهيات
٣٥	الوجبات الأساسية
٣٥	الصلصات
٣٧ - ٤٠	برامج الحلويات
٧٣	تليين الشوكولاته
٣٨ - ٧٣	العجائن
٣٨	المرنغ
٣٩	الفاكهة المحفوظة
٣٩ - ٤٠	الصلصات
٤٠	أخرى
٤١	برامج الطهي البطيء
٤١	مرتفعة
٤١	منخفضة
٤٢	برنامج الطهي بالبخار
٤٣	ضبط أدوات السلطانية
٤٤	تركيب واستخدام مجموعة واقى الرذاذ
٤٥	تركيب وإزالة أغطية المخارج
٤٥	تركيب وإزالة مشبك التقليل المساعد
٤٥	تجميع مضرب الخلطات الكريمة الساخنة
٤٦	السعات القصوى والسرعات الموصى بها
٤٧	العناية والتنظيف
٤٧	الخدمة ورعاية العملاء
٨٤ - ٤٩	دليل اكتشاف المشكلات وحلها

Kenwood Ltd

New Lane
Havant
Hampshire
PO9 2NH

kenwoodworld.com

© 2019 Kenwood Limited. All rights reserved



5720000743/2